

Meeting the Demands of the 21st Century



GAMESTALKER

2011
RETAIL CATALOG

Table Of Contents - By Page

3 / 5	General Information / Warranty
6 / 7	K22 .22LR Models
8 / 9	Ultramatch / Servicematch Models
10 / 11	Multimatch / Targetmatch Models
12 / 13	K3B / K3BM4 Models
14 / 15	K3B-FAR / K7 Eliminator / K4B / K74 Models
16 / 17	Lightweight Tactical Models / K16 / GI-16
18 / 19	Plinker Plus Models / K30R / K68
20 / 21	Pistol Cal & Glock® Models / OA-93 / K23P
22 / 23	Factory Options / Top End Assemblies
24 / 25	Pistol Cal Upper Receiver Assemblies & Parts
26 / 27	Alternate Caliber Upper Receiver Assemblies
28 / 29	AR-15 Match & Ultramatch Barrels / Barrel Assemblies
30 / 31	Lower Receiver Assemblies / Bolt Carrier Parts
32	AR-15 Parts - A1 & A2 Rear Sights & Assemblies
37	AR-15 Parts - Lower Receiver
38 / 39	AR-15 Parts - Upper Receiver / Barrel Parts & Acces.
40 / 41	AR-15 Parts - Pistol Grips & Buttstocks / ACE® Stocks
42 / 44	AR-15 Parts - Free-Float Handguards, Bi-Pods & Acces.
45 / 46	Magazines, Handguards & Acces. / AC4 Buffers
47	Weapon Shield Lubricants, Manuals / AR15 Tools
48 / 49	AR15 Schematic: Exploded View w/Parts
50 / 51	Whitney Wolverine / Whitney Wolverine Small Parts
52 / 53	Olympic Arms 1911 Intro. / Matchmaster 5" & 6"
54 / 55	Enforcer / Cohort / Big Deuce / Trail Boss
56 / 57	Westerner / Constable / SPW Custom Shop Info.
58 / 59	Journeyman / Street Deuce / 1911 Slides & Slide Kits
60 / 61	1911 Frames & Magazines / 1911 Parts
62 / 63	1911 Schematic: Exploded View / RFA, K22 Exploded
64 / 65	Training Models, Maintenance Tools
66 / 67	Logoware

Definition of Abbreviations

Abbreviation	Description
FT	Flat top upper receiver with picatinny rails. Standard on some models. Any A2 upper can be ordered as a flat top for no additional cost.
A2	Standard upper receiver with an A2 rear sight. The fully adjustable rear sight includes both windage and elevation adjustment with two apertures.
A3	Flat top upper receiver with picatinny rails. Includes a detachable carry handle. The carry handle features an A2 rear sight.
UR	Upper receiver (aka Top End Assembly) unit. This is just the top half of a complete model. Does not include the lower receiver or any parts attached to it. Sometimes includes a magazine or other parts.
SUM	Stainless Ultramatch barrel. These are our top of the line barrels. They are broach-cut from 416 stainless steel bar stock with 4 lands and 4 grooves to minimum SAAMI specifications.

Table Of Contents - By Model

	Model(s)	Page
Big-Game Hunting		
	Gamestalker	34-35
Ultramatch Barreled National Match Bull Barreled Rifles		
	UM-1P / UM-1	8
	K8-MAG	11
	ML-2	10
Service Rifle / Carbines with Ultramatch Barrels		
	SM-1P / SM-1	9
	ML-1	10
Button Rifled Match Barreled Rifles		
	K3B / K3B-CAR	12
	K3B-M4 / K3B-M4-A3-TC	13
	K3B-FAR / K7	14
	K4B / K4B68 / K74	15
Button Rifled Bull Barrel Target Models		
	K16	16
	K8	11
Pistol Caliber Carbines		
	K9 / K10 / K40 / K45	20
	K9-GL / K40-GL	20
Models That Use 7.62 x 39mm		
	K30R	19
Models that Use 6.8 Remington SPC		
	K68	19
Economy Models		
	Plinker Plus / Plinker Plus 20	18
	GI-16	17
Lightweight Tactical Models		
	LTF / LT-M4	16
AR-15 Pistols		
	OA-93	21
	K23P / K23P-A3-TC	21
Other Pistols		
	Whitney Wolverine	50
	Matchmaster 5 / Matchmaster 6	53
	Enforcer / Cohort	54
	Big Deuce / Trail Boss	55
	Westerner / Constable	56
	Journeyman / Street Deuce	58

This product catalog is ©2011 Olympic Arms, Inc. and may not be reproduced. Prices and specifications are considered accurate at the time of printing. Prices and specifications are subject to change without notice.

Not all products, including new products, are listed in this product catalog. To qualify for Dealer pricing you must be an approved dealer of Olympic Arms products and we must have your current FFL on file.

FAQ: Products & Options

Olympic Arms is an FFL licensed firearms manufacturer based in Olympia, Washington. Our facilities include manufacturing, machine shops, coating/finishing shops, production, assembly, warehousing, shipping, offices and a retail storefront. We are a true manufacturer of AR-15 firearms because we manufacture all major components ourselves at our own facilities in the United States. Our manufacturing areas turn raw materials into finished parts which are assembled in our production building and shipped directly to Dealers and customers.

Q: Can I order that model with a flat top upper?

A: YES! Any Olympic Arms model that has an A2 upper can be ordered as a flat top upper at no additional cost. For models standard with a flat top upper you can order them as A2 uppers, again at no additional cost.

Q: Are Olympic Arms' receivers forged or cast?

A: Aluminum Forgings! Olympic Arms Inc. exclusively uses 7075 T6 Aluminum forgings for our upper and lower receivers. The receivers are machined by Olympic Arms in our machine shops.

Q: What is an Unassembled Dealer Kit?

A: Dealer Kits are 100% unassembled kits, all parts included to build a rifle or carbine. You are responsible for the fit, finish, and functionality of the end product you build from these parts.

Unassembled Dealer Kits include the lower receiver and FET is included.

Unassembled Retail Kits do not include a lower receiver and do not include FET. Unassembled Retail Kits are not available to Dealers.



*A2 or Flat Top?
You choose!*



*All receivers are 7075 T6
Aluminum Forgings.*

*Machined by Olympic Arms in
our machine shops!*



Additional information can be found on our web site: www.olyarms.com in the FAQs and Support sections.

General Information

Ordering Instructions

We take pride in our customer service team, which consists of the most courteous and knowledgeable staff in the industry. Our offices and retail storefront are open Monday through Friday, from 7:00 a.m. until 4:00 p.m. Pacific Standard Time.

Phone (800) 228 - 3471 • Fax (360) 491 - 3447
www.olyarms.com for 24/7 Ordering

How To Order

A retail customer is any individual who is not a Federal Firearms Licensed (FFL) Dealer. All retail customer orders are accepted by telephone, mail, fax, or e-mail. Customers can also order certain items from our online store (*visit our website for details*). Orders must include: full name with shipping address (*PO Box addresses are NOT accepted*), day time and business phone and fax numbers if available, a method of payment arrangements, and a complete description of the products ordered to include item and/or stock numbers. Dealer orders will NOT be accepted under the name of anyone other than those people who are named on the FFL or those not designated by the Licensee. No exceptions to these policies will be made.

Shipping And Handling Fees

Shipping and handling fees are a flat rate based on the dollar value of the contents of each box or package shipped. Shipping and handling charges are taxable to Washington State residents. *New rates listed below are effective on all orders placed after January 1, 2009.* The scale for determining per box/package shipping and handling charges are as follows:

\$0.01 - \$99.99	\$9.95
\$100.00 - \$499.99	\$17.95
\$500.00 - 999.99	\$27.95
\$1000.00 & Up	\$38.95
COD	\$9.75 Extra per invoice.

Methods Of Payment

We accept COD, credit card and pre-paid orders. All COD orders will be shipped on a certified-funds-only basis. To receive a 'COD Check OK' status, a bank reference must first be filed with the Olympic Arms accounting department. At the time of a bank reference filing a 'COD Check OK' account will be approved for future shipments pending approval by our accounting department.

The following major credit cards are accepted: Discover Card, Master Card, and VISA. *Olympic Arms no longer accepts American Express.* Credit card accounts are not charged until the order is shipped. Pre-paid orders are accepted for select products, contact your sales rep for details. Orders

paid by personal check or company check may be held until the funds clear the bank. This process could delay your order as much as ten (10) days or more beyond production time. Sales Tax in Washington State is based on destination of sale (what ever your local sales tax is.) Sales Tax in our store front is 7.9%. Sales taxes for Washington state orders are waived if a Washington State Resellers Permit is on file with our accounting department. The Olympic Arms accounting department does *NOT* offer 'open' accounts of any type.

Returns

Returns must first be approved by our Customer Service Team and a Return Authorization Number will be assigned. To avoid time and processing delays, please do not return any product to Olympic Arms before first contacting our Customer Service Team.

All returns must be sent to:
Olympic Arms, Inc.
Att: Returns & Repairs
624 Old Pacific Hwy SE
Olympia, WA 98513

Please be sure that you include a personal and company name, a return address (*PO Box addresses are NOT accepted*), a daytime phone number, a copy of the original invoice, as well as a letter detailing the reason for the return. All of these items must be included with a return to ensure prompt processing of an returned item.

No CLASS III returns or repairs can be accepted without prior notification and proper ATF transfer. All CLASS III items sent to Olympic Arms without advance notification and the proper ATF forms will be IMMEDIATELY returned to the sender.

Warranty Repair

All returns for warranty repair must be shipped to the address specified in the 'Returns' section. Determination as to whether the problem with the returned product is covered under warranty will be made after it is inspected by the expert technical staff of Olympic Arms.

Restocking Fee

All refused or returned shipments without prior authorization are subject to payment of all shipping charges incurred by Olympic Arms, as well as a fifteen percent (15%) restocking fee. Please be sure to call to determine if a RETURN AUTHORIZATION NUMBER is required before you return any product to us. Olympic Arms is bound by all federal laws applicable to the products we manufacture and sell, including the legal transfer of such weapons. Please contact our customer service staff during business hours for confirmation of procedures.

Warranty Information

Lifetime Warranty

Our goal at Olympic Arms, Inc. (“OAI”, “we” and “us”) is to lead the industry in customer service and satisfaction. For this reason, we are proud to offer the most comprehensive factory warranty of its kind by any AR-15 manufacturer.

We will warranty all parts and products manufactured by OAI against any and all manufacturer’s defects in materials and workmanship, which effect the satisfactory operation of the item being warranted. This portion of the warranty is non-transferable.

The liability of OAI is limited to repair or replacement of only those parts determined by our staff to be defective on the part of the factory. The decision to repair or replace a warranted product will be made by OAI as necessary to provide the customer with a properly operating finished product. OAI assumes no liability for accidental or consequential damages. The following items are specifically excluded from coverage under this warranty:

1. Normal wear of the protective finishes and of all metal or plastic parts.
2. Damage or malfunction resulting from accident, negligence, misuse, or unauthorized repair or alteration.
3. Damage or malfunction resulting from barrel obstructions.
4. Damage or malfunction resulting from use of other than factory SAAMI specification brass cased new production ammunition.
5. Damage resulting from the use of ANY imported, hand loaded, reloaded, or factory re-manufactured ammunition.
6. Any finished products that are NOT assembled at the factory, or are assembled using imported or used parts. This includes completed rifle kits, pistol kits, upper receivers, lower receivers, barrel units / assemblies, etc.
7. Any damage to OAI parts or components during assembly by an individual, organization, company, or entity other than OAI.

Satisfaction Guarantee

Beyond warranty, Olympic Arms, Inc. (“OAI”, “we” and “us”) guarantees complete customer satisfaction. If you are not completely satisfied with the purchase of any OAI product based on any product or warranty related reason, simply return it to us within sixty (60) days along with a copy of the original invoice and we will replace the item, or credit or refund the original purchase price (to be decided by OAI). Restrictions apply, see below.

Product or warranty related reason is defined as any warranty or service/repair issue, or deficiency in the advertised performance of the product in question. It does not apply to dealers and/or individuals who, after having received the product feel as though a different product would be better suited for their needs. In cases such as this, exchanges can be made on new, unfired, products returned in their original packaging along with a copy of the original sales invoice. A restocking fee (currently 15%) may apply.

Refunds are made on returns based on our advertised Lifetime Warranty and/or Satisfaction Guarantee. All credit card purchases will be refunded directly to the credit card on which the original purchase was made. Cash purchases, or COD orders will be refunded via an Olympic Arms company check to be issued no earlier than five (5) business days after the returned product has been received. Shipping and handling charges are not refunded unless the product returned is determined to have been defective from the time it left OAI and are not refunded or credited on non-warranty related exchanges. No exceptions.

If your purchase was made through an OAI retailer/dealer, then they (the retailer/dealer) have the option to return the product to OAI for a replacement, credit, or refund as well. OAI does not dictate the in-store policies of OAI retailers/dealers. Check with your retailer/dealer for their policy before purchasing.

K22 Rimfire Target Match

Upper type: Forged flat top w/ picatinny rails
 Front sight: None
 Handguard: Free floating aluminum tube w/ knurling
 Barrel: 16" bull, button rifled, 416 stainless steel
 Chambering: .22LR, minimum SAAMI spec
 Bore: Long-life non-chromed bore
 Twist rate: 1x16
 Muzzle: Crowned
 Stock: A2 w/ trapdoor
 Length/Weight: 31" / 8.6 lbs
 Misc: This is a Full AR15 with a .22LR Upper Receiver. Lower works with any Mil Spec Upper Receiver.

	Retail
Complete Firearm	\$830.70
Upper Receiver Assembly	\$518.70
Unassembled Dealer Kit	N/A



K22 Survival Light

Upper type: Forged flat top w/ picatinny rails
 Front sight: Gas block w/ picatinny rails
 Handguard: Free floating aluminum tube, Slotted
 Barrel: 16" Featherweight, 416 stainless steel
 Chambering: .22LR minimum SAAMI spec
 Bore: Long-life non-chromed bore
 Twist rate: 1x16
 Muzzle: A1 flash suppressor
 Stock: Side Folding Stock
 Length/Weight: 36.0625" / 6 lbs
 Misc: This is a Full AR15 with a .22LR Upper Receiver. Lower works with any Mil Spec Upper Receiver.

	Retail
Complete Firearm	\$882.70
Upper Receiver Assembly	\$747.50
Unassembled Dealer Kit	N/A

K22 Pistol



Upper type: Forged flat top w/ picatinny rails
 Front sight: Gas block w/ picatinny rails
 Handguard: Free floating aluminum tube w/ knurling
 Barrel: 6.5", button rifled, 416 stainless steel
 Chambering: .22LR, minimum SAAMI spec
 Bore: Long-life non-chromed bore
 Twist rate: 1x16
 Muzzle: A2 flash suppressor
 Stock: None Available
 Length/Weight: 16.75" / 4.28 lbs
 Misc: This is a Full AR15 with a .22LR Upper Receiver. Lower works with any Mil Spec Upper Receiver.

	Retail
Complete Firearm	\$895.70
Upper Receiver Assembly	\$541.10
Unassembled Dealer Kit	N/A



K22-M4

Upper type: Forged A2 w/ fully adjustable rear sight
 Front sight: Elevation adjustable post w/ bayonet lug
 Handguard: Fiberite carbine length M4 w/ heat shield
 Barrel: 16" M4, button rifled, 416 stainless steel
 Chambering: .22LR, minimum SAAMI spec
 Bore: Long-life non-chromed bore
 Twist rate: 1x16
 Muzzle: A1 flash suppressor
 Stock: M4, 6-point collapsible
 Length/Weight: 32.125" / 6.62 lbs
 Misc: This is a Full AR15 with a .22LR Upper Receiver. Lower works with any Mil Spec Upper Receiver.

	Retail
Complete Firearm	\$1038.70
Upper Receiver Assembly	\$588.90
Unassembled Dealer Kit	N/A

UM-1P

Upper type: Forged flat top w/ picatinny rails
 Front sight: Gas block w/ picatinny rails
 Handguard: Free floating aluminum tube w/ knurling
 Barrel: 24" bull, **Ultramatch**, 416 stainless steel
 Chambering: .223 Remington, minimum SAAMI spec
 Bore: Long-life non-chromed bore
 Twist rate: 1x10 [optional 1x8]
 Muzzle: Crowned
 Stock: A2 w/ trapdoor
 Length/Weight: 42.25" / 9.46 lbs
 Misc: Premium model includes Williams Set Trigger, AC4-NA buffer, Harris S-series bipod installed, ERing and EXring parts.

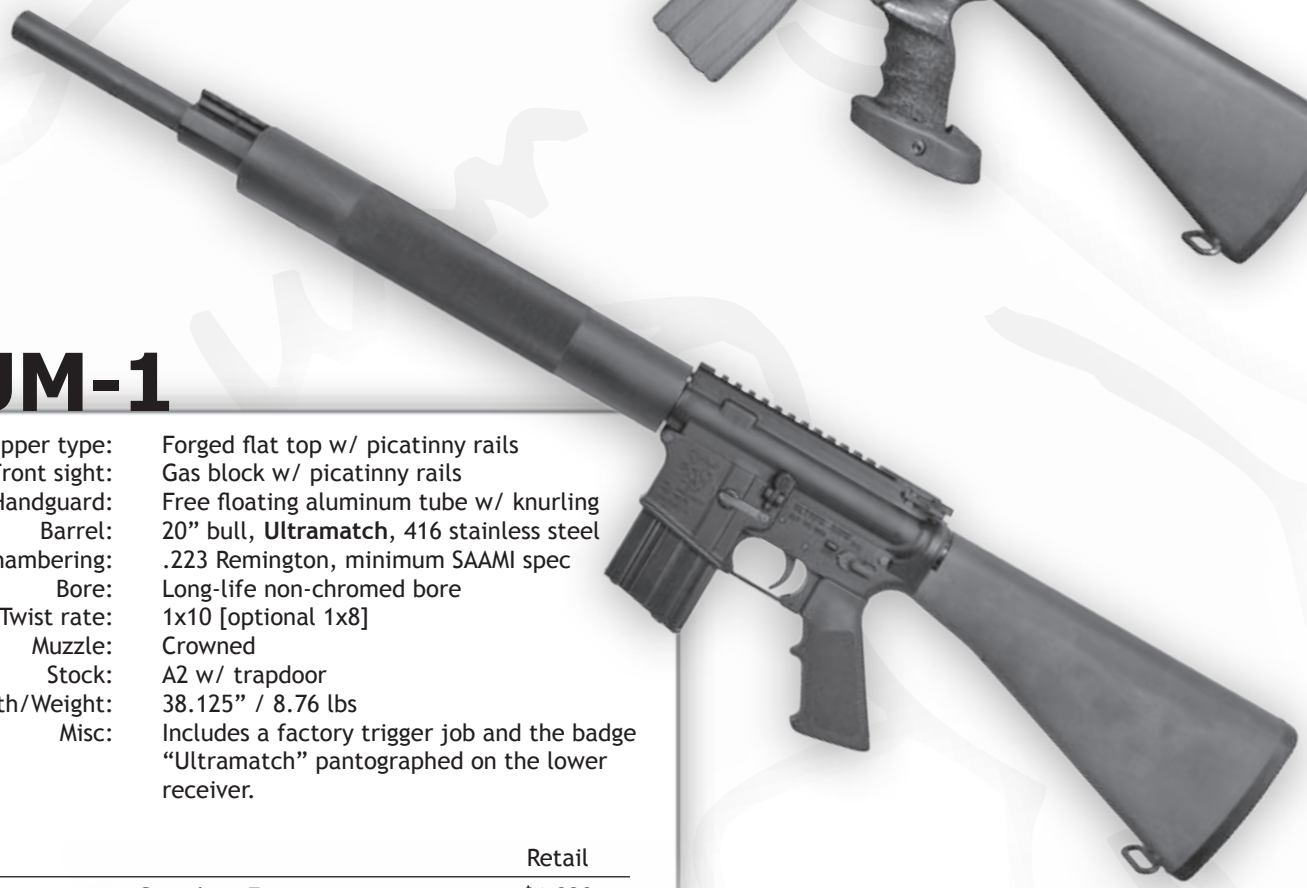
	Retail
Complete Firearm	\$1,623.70
Upper Receiver Assembly	N/A
Unassembled Dealer Kit	N/A



UM-1

Upper type: Forged flat top w/ picatinny rails
 Front sight: Gas block w/ picatinny rails
 Handguard: Free floating aluminum tube w/ knurling
 Barrel: 20" bull, **Ultramatch**, 416 stainless steel
 Chambering: .223 Remington, minimum SAAMI spec
 Bore: Long-life non-chromed bore
 Twist rate: 1x10 [optional 1x8]
 Muzzle: Crowned
 Stock: A2 w/ trapdoor
 Length/Weight: 38.125" / 8.76 lbs
 Misc: Includes a factory trigger job and the badge "Ultramatch" pantographed on the lower receiver.

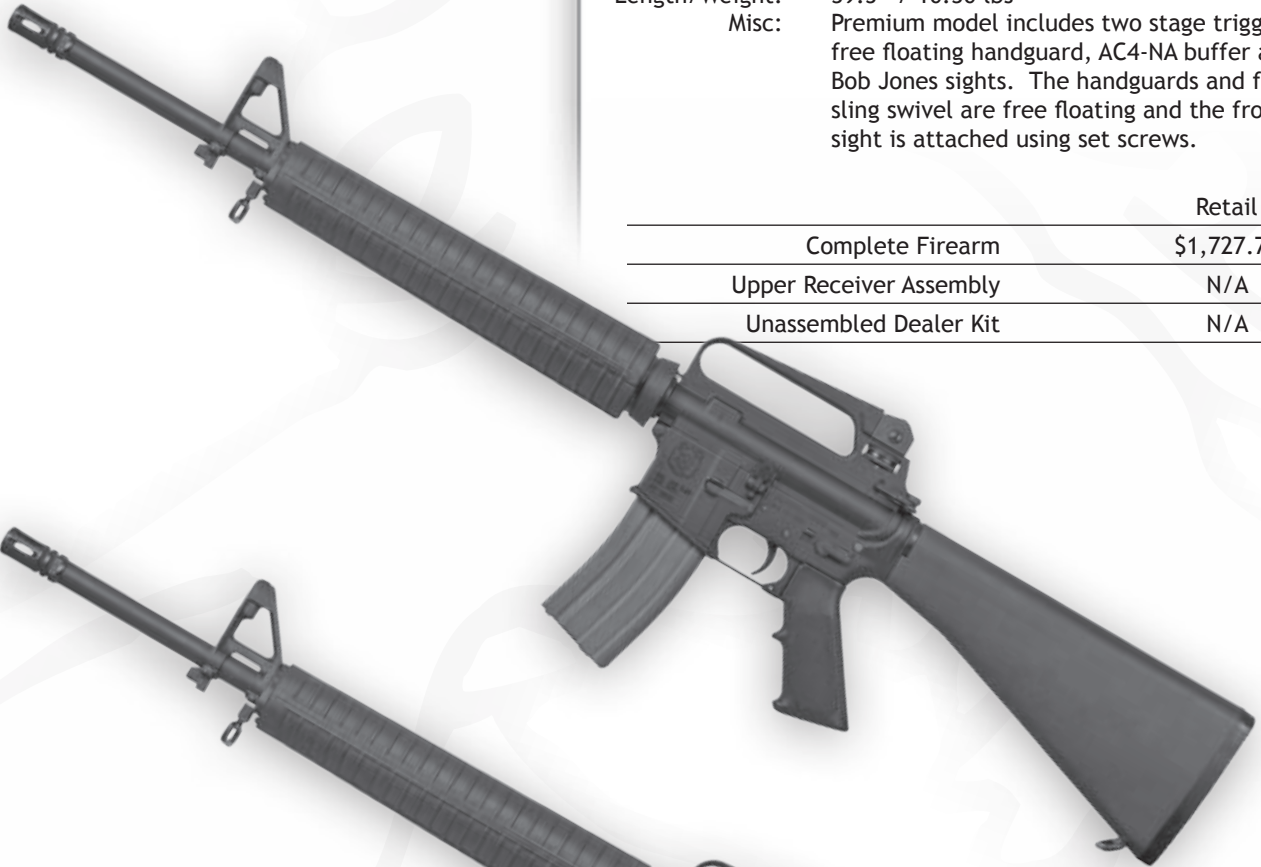
	Retail
Complete Firearm	\$1,329
Upper Receiver Assembly	\$783.90
Unassembled Dealer Kit	N/A



SM-1P

Upper type: Forged A2 w/ Bob Jones interchangeable sights
 Front sight: Elevation adjustable post w/ bayonet lug
 Handguard: Free floating sleeve w/ rifle length caps
 Barrel: 20", **Ultramatch**, 416 stainless steel
 Chambering: .223 Remington, minimum SAAMI spec
 Bore: Long-life non-chromed bore
 Twist rate: 1x8 [optional 1x10]
 Muzzle: A2 flash suppressor
 Stock: A2 w/ trapdoor
 Length/Weight: 39.5" / 10.30 lbs
 Misc: Premium model includes two stage trigger, free floating handguard, AC4-NA buffer and Bob Jones sights. The handguards and front sling swivel are free floating and the front sight is attached using set screws.

	Retail
Complete Firearm	\$1,727.70
Upper Receiver Assembly	N/A
Unassembled Dealer Kit	N/A



SM-1

Upper type: Forged A2 w/ National Match rear sight
 Front sight: Elevation adjustable post w/ bayonet lug
 Handguard: Free floating sleeve w/ rifle length caps
 Barrel: 20", **Ultramatch**, 416 stainless steel
 Chambering: .223 Remington, minimum SAAMI spec
 Bore: Long-life non-chromed bore
 Twist rate: 1x8 [optional 1x10]
 Muzzle: A2 flash suppressor
 Stock: A2 w/ trapdoor
 Length/Weight: 39.5" / 9.71 lbs
 Misc: The handguards and front sling swivel are free floating adding no pressure to the barrel itself. Also includes a factory trigger job.

	Retail
Complete Firearm	\$1,272.70
Upper Receiver Assembly	\$812.50
Unassembled Dealer Kit	N/A

ML-1

Upper type: Forged A2 w/ fully adjustable rear sight
Front sight: Elevation adjustable post w/ bayonet lug
Handguard: Free floating aluminum tube w/ knurling
Barrel: 16", **Ultramatch**, 416 stainless steel
Chambering: .223 Remington, minimum SAAMI spec
Bore: Long-life non-chromed bore
Twist rate: 1x10 [optional 1x8]
Muzzle: A2 flash suppressor
Stock: M4, 6-point collapsible
Length/Weight: 35.75" / 7.35 lbs
Misc: Includes a factory trigger job.

	Retail
Complete Firearm	\$1,188.20
Upper Receiver Assembly	\$748.80
Unassembled Dealer Kit	N/A



ML-2

Upper type: Forged flat top w/ picatinny rails
Front sight: Gas block w/ picatinny rails
Handguard: Free floating aluminum tube w/ knurling
Barrel: 16" bull, **Ultramatch**, 416 stainless steel
Chambering: .223 Remington, minimum SAAMI spec
Bore: Long-life non-chromed bore
Twist rate: 1x10 [optional 1x8]
Muzzle: Crowned
Stock: A2 w/ trapdoor
Length/Weight: 34.375" / 7.47 lbs
Misc: Includes a factory trigger job.

	Retail
Complete Firearm	\$1,188.20
Upper Receiver Assembly	\$748.80
Unassembled Dealer Kit	N/A

K8

Targetmatch Pantograph:



Upper type: Forged flat top w/ picatinny rails
 Front sight: Gas block w/ picatinny rails
 Handguard: Free floating aluminum tube w/ knurling
 Barrel: 20" bull, button rifled, 416 stainless steel
 Chambering: 5.56 nato
 Bore: Long-life non-chromed bore
 Twist rate: 1x9 [optional 1x8]
 Muzzle: Crowned
 Stock: A2 w/ trapdoor
 Length/Weight: 38.5" / 8.5 lbs
 Misc: Included upgrades: "Targetmatch" pantograph and a satin bead blast finish on barrel.

	Retail
Complete Firearm	\$908.70
Upper Receiver Assembly	\$560.30
K868 (K8 in 6.8 SPC)	\$1033.50
K868 Upper Receiver Assembly	\$598
Unassembled Dealer Kit	N/A

K8-MAG

Upper type: Forged flat top w/ picatinny rails
 Front sight: Gas block w/ picatinny rails
 Handguard: Free floating aluminum tube w/ knurling
 Barrel: 24" bull, **Ultramatch**, 416 stainless steel
 Chambering: WSSM .223, .243 or .25 [also .300 OSSM]
 Bore: Long-life non-chromed bore
 Twist rate: 1x10 [optional 1x8*]
 Muzzle: Crowned
 Stock: A2 w/ trapdoor
 Length/Weight: 38.25" / 9.41 lbs
 Misc: Chambered for the Winchester Super Short Magnum cartridges. Includes one 6 round WSSM magazine.

	Retail
Complete Firearm	\$1,363.70
Upper Receiver Assembly	\$895.70
Unassembled Dealer Kit	N/A



K3B

Upper type: Forged A2 w/ fully adjustable rear sight
Front sight: Elevation adjustable post w/ bayonet lug
Handguard: Fiberite carbine length caps
Barrel: 16", button rifled, 4140 chromemoly steel
Chambering: 5.56 nato
Bore: Long-life non-chromed bore
Twist rate: 1x9
Muzzle: A2 flash suppressor
Stock: M4, 6-point collapsible
Length/Weight: 31.75" / 6.77 lbs

	Retail
Complete Firearm	\$941.20
Upper Receiver Assembly	\$526.50
Unassembled Dealer Kit	N/A

K3B-CAR

Upper type: Forged A2 w/ fully adjustable rear sight
Front sight: Elevation adjustable post w/ bayonet lug
Handguard: Fiberite carbine length caps
Barrel: 11.5", button rifled, 416 stainless steel
Chambering: 5.56 nato
Bore: Long-life non-chromed bore
Twist rate: 1x9
Muzzle: 5.5" permanently attached A1 flash suppressor
Stock: M4, 6-point collapsible
Length/Weight: 31.75" / 6.03 lbs

	Retail
Complete Firearm	\$968.50
Upper Receiver Assembly	\$598
Unassembled Dealer Kit	N/A

K3B-M4

Upper type: Forged A2 w/ fully adjustable rear sight
Front sight: Elevation adjustable post w/ bayonet lug
Handguard: Fiberite carbine length M4 w/ heat shield
Barrel: 16" M4, button rifled, 416 stainless steel
Chambering: 5.56 nato
Bore: Long-life non-chromed bore
Twist rate: 1x9
Muzzle: A2 flash suppressor
Stock: M4, 6-point collapsible
Length/Weight: 32.25" / 6.34 lbs

	Retail
Complete Firearm	\$1,038.70
Upper Receiver Assembly	\$588.90
Unassembled Dealer Kit	N/A



K3B-M4-A3-TC

Upper type: Forged flat top w/ detachable carry handle
Front sight: Elevation adjustable post w/ bayonet lug
Handguard: Free floating aluminum tube w/ rails
Barrel: 16" M4, button rifled, 416 stainless steel
Chambering: 5.56 nato
Bore: Long-life non-chromed bore
Twist rate: 1x9
Muzzle: A2 flash suppressor
Stock: M4, 6-point collapsible
Length/Weight: 32.25" / 6.77 lbs
Misc: Includes detachable carry handle as shown.

	Retail
Complete Firearm	\$1,246.70
Upper Receiver Assembly	\$796.90
Unassembled Dealer Kit	N/A



K3B-FAR

Upper type: Forged A2 w/ fully adjustable rear sight
 Front sight: Elevation adjustable post w/ bayonet lug
 Handguard: Fiberite carbine length caps
 Barrel: 16" FAR, button rifled, 416 stainless steel
 Chambering: 5.56 nato
 Bore: Long-life non-chromed bore
 Twist rate: 1x9
 Muzzle: A2 flash suppressor
 Stock: M4, 6-point collapsible
 Length/Weight: 30.5" / 6.03 lbs

	Retail
Complete Firearm	\$1006.19
Upper Receiver Assembly	\$559
Unassembled Dealer Kit	N/A



K7

Upper type: Forged A2 w/ fully adjustable rear sight
 Front sight: Elevation adjustable post w/ bayonet lug
 Handguard: Fiberite rifle length caps
 Barrel: 16", button rifled, 416 stainless steel
 Chambering: 5.56 nato
 Bore: Long-life non-chromed bore
 Twist rate: 1x9
 Muzzle: A2 flash suppressor
 Stock: A2 w/ trapdoor
 Length/Weight: 31.5" / 6.80 lbs
 Misc: This model has a 16" barrel with the sight radius of a 20" barrel. Gas block is concealed under handguards.

	Retail
Complete Firearm	\$973.70
Upper Receiver Assembly	\$553.80
Unassembled Dealer Kit	N/A



K4B & K4B68



Upper type: Forged A2 w/ fully adjustable rear sight
 Front sight: Elevation adjustable post w/ bayonet lug
 Handguard: Fiberite rifle length caps
 Barrel: 20", button rifled, 4140 chromemoly steel
 Chambering: 5.56 nato
 Bore: Long-life non-chromed bore
 Twist rate: 1x9
 Muzzle: A2 flash suppressor
 Stock: A2 w/ trapdoor
 Length/Weight: 39.5" / 8.51 lbs

	Retail
Complete Firearm	\$968.50
Upper Receiver Assembly	\$572
Unassembled Dealer Kit	N/A
K4B68 - 6.8 SPC Caliber	\$1,033.00

K74



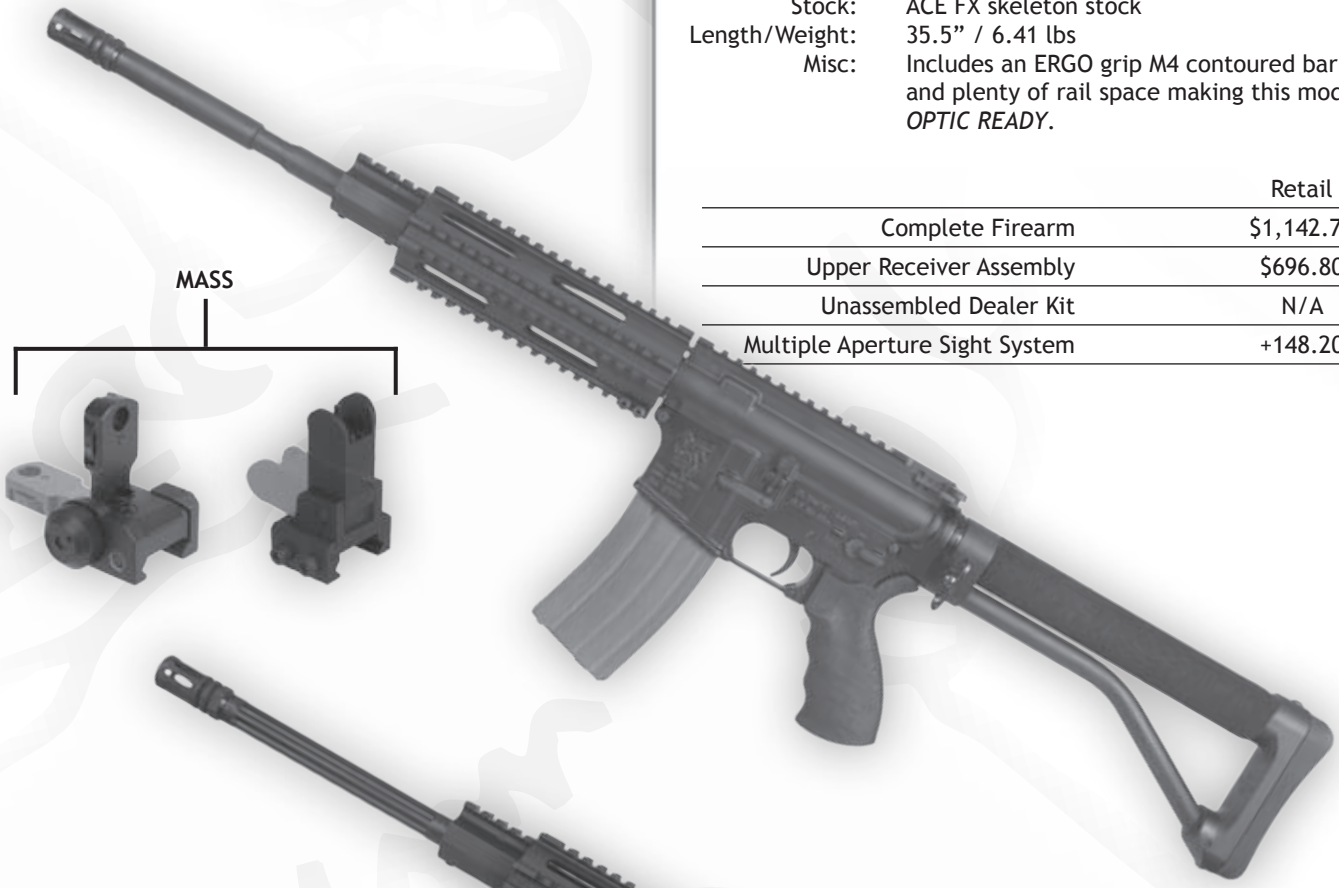
Upper type: Forged A2 w/ fully adjustable rear sight
 Front sight: Elevation adjustable post w/ bayonet lug
 Handguard: Fiberite M4 carbine length caps
 Barrel: 16", button rifled, 416 stainless steel
 Chambering: 5.45x39 Russian
 Bore: Long-life non-chromed bore
 Twist rate: 1x8
 Muzzle: A2 flash suppressor
 Stock: M4 6 position collapsing stock
 Length/Weight: 31.75" / 6.77 lbs

	Retail
Complete Firearm	\$917
Upper Receiver Assembly	\$608.40
Unassembled Dealer Kit	N/A

LT-M4

Upper type: Forged flat top w/ picatinny rails
 Front sight: Gas block w/ picatinny rails
 Handguard: Free floating aluminum tube w/ rails
 Barrel: 16" M4, button rifled, 416 stainless steel
 Chambering: 5.56 nato
 Bore: Long-life non-chromed bore
 Twist rate: 1x9
 Muzzle: A2 flash suppressor
 Stock: ACE FX skeleton stock
 Length/Weight: 35.5" / 6.41 lbs
 Misc: Includes an ERGO grip M4 contoured barrel and plenty of rail space making this model *OPTIC READY*.

	Retail
Complete Firearm	\$1,142.70
Upper Receiver Assembly	\$696.80
Unassembled Dealer Kit	N/A
Multiple Aperture Sight System	+148.20



LTF

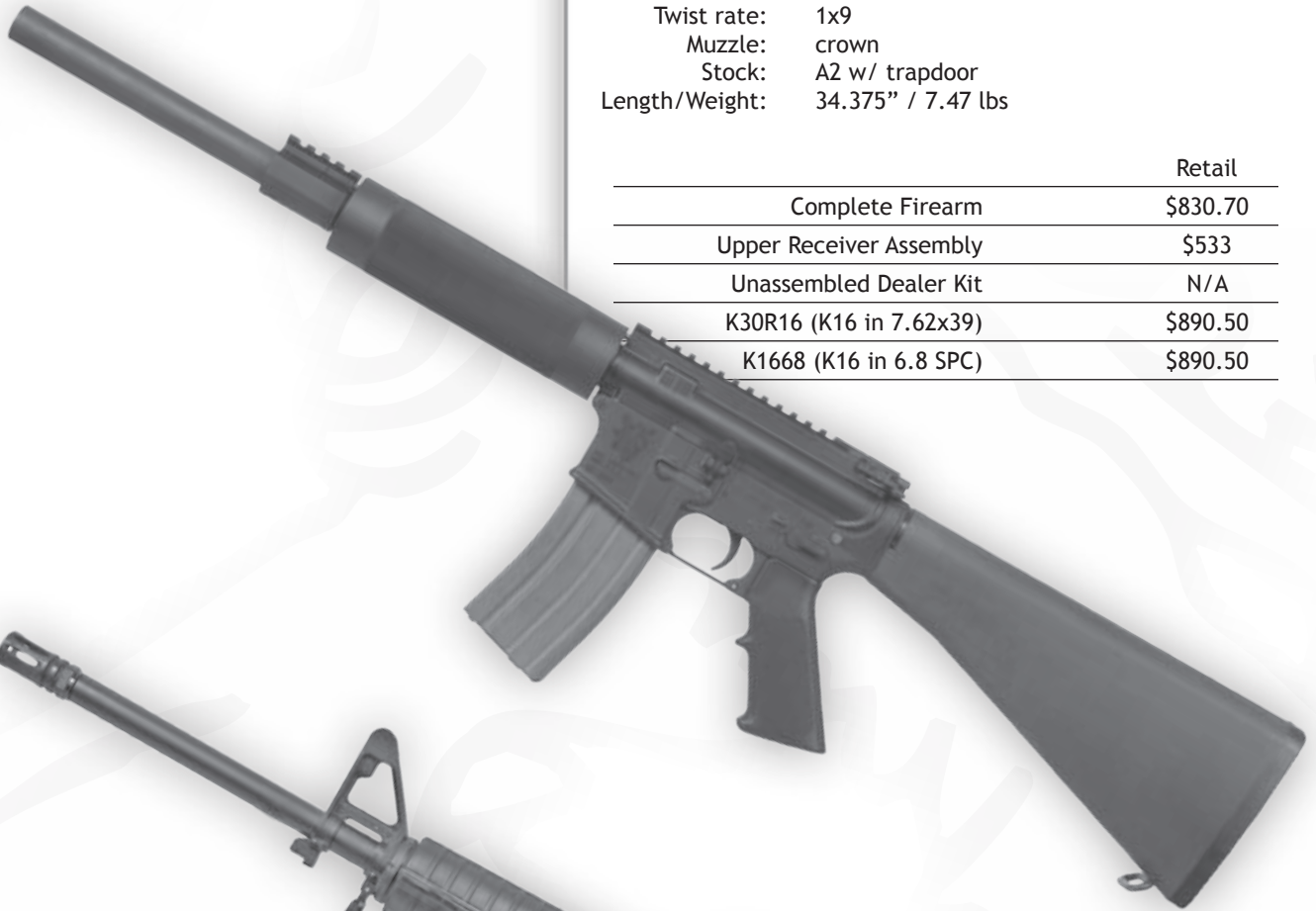
Upper type: Forged flat top w/ picatinny rails
 Front sight: Gas block w/ picatinny rails
 Handguard: Free floating aluminum tube w/ rails
 Barrel: 16", button rifled, 4140 chromemoly steel
 Chambering: 5.56 nato
 Bore: Long-life non-chromed bore
 Twist rate: 1x9
 Muzzle: A2 flash suppressor
 Stock: ACE FX skeleton stock
 Length/Weight: 35.5" / 6.44 lbs
 Misc: Includes an ERGO grip full length barrel fluting and plenty of rail space making this model *OPTIC READY*.

	Retail
Complete Firearm	\$1,240.20
Upper Receiver Assembly	\$743.60
Unassembled Dealer Kit	N/A
Multiple Aperture Sight System	+148.20

K16 Models

Upper type: Forged flat top w/ picatinny rails
 Front sight: Gas block w/ picatinny rails
 Handguard: Free floating aluminum tube w/ knurling
 Barrel: 16" bull, button rifled, 4140 chromemoly steel
 Chambering: 5.56 nato
 Bore: Long-life non-chromed bore
 Twist rate: 1x9
 Muzzle: crown
 Stock: A2 w/ trapdoor
 Length/Weight: 34.375" / 7.47 lbs

	Retail
Complete Firearm	\$830.70
Upper Receiver Assembly	\$533
Unassembled Dealer Kit	N/A
K30R16 (K16 in 7.62x39)	\$890.50
K1668 (K16 in 6.8 SPC)	\$890.50



GI-16

Upper type: Forged A1 w/ adjustable windage only
 Front sight: Elevation adjustable post w/ bayonet lug
 Handguard: Fiberite carbine length caps
 Barrel: 16", button rifled, 4140 chromemoly steel
 Chambering: 5.56 nato
 Bore: Long-life non-chromed bore
 Twist rate: 1x9
 Muzzle: A2 flash suppressor
 Stock: M4, 6-point collapsible
 Length/Weight: 31.75" / 6.61 lbs
 Misc: Similar to the Plinker Plus except that this model has a M4 collapsible stock. Some factory options available.



	Retail
Complete Firearm	\$856.70
Upper Receiver Assembly	N/A
Unassembled Dealer Kit	N/A

Plinker Plus

Upper type: Forged A1 w/ windage only adjustment
 Front sight: Elevation adjustable post w/ bayonet lug
 Handguard: Fiberite carbine length caps
 Barrel: 16", button rifled, 4140 chromemoly steel
 Chambering: 5.56 nato
 Bore: Long-life non-chromed bore
 Twist rate: 1x9
 Muzzle: A2 flash suppressor
 Stock: A2 w/ trapdoor
 Length/Weight: 35.75" / 7.37 lbs

	Retail
Complete Firearm	\$713.70
Upper Receiver Assembly	N/A
Unassembled Dealer Kit	N/A

Plinker Plus models cannot be ordered with upgrade options. These models are only available as shown.

Plinker Plus 20

Upper type: Forged A1 w/ windage only adjustment
 Front sight: Elevation adjustable post w/ bayonet lug
 Handguard: Fiberite rifle length caps
 Barrel: 20", button rifled, 4140 chromemoly steel
 Chambering: 5.56 nato
 Bore: Long-life non-chromed bore
 Twist rate: 1x9
 Muzzle: A2 flash suppressor
 Stock: A2 w/ trapdoor
 Length/Weight: 39.75" / 8.46 lbs

	Retail
Complete Firearm	\$843.70
Upper Receiver Assembly	N/A
Unassembled Dealer Kit	N/A

K30R 7.62 x 39mm

Upper type: Forged A2 w/ fully adjustable rear sight
 Front sight: Elevation adjustable post w/ bayonet lug
 Handguard: Fiberite carbine length caps
 Barrel: 16", button rifled, 416 stainless steel
 Chambering: 7.62 x 39mm
 Bore: Long-life non-chromed bore
 Twist rate: 1x10
 Muzzle: A2 flash suppressor
 Stock: M4, 6-point collapsible
 Length/Weight: 31.5" / 6.77 lbs
 Misc: Includes one magazine hicap magazine.

	Retail
Complete Firearm	\$973.70
Upper Receiver Assembly	\$588.90
Unassembled Dealer Kit	N/A



K68 6.8 Remington

Upper type: Forged A2 w/ fully adjustable rear sight
 Front sight: Elevation adjustable post w/ bayonet lug
 Handguard: Fiberite M4 carbine length caps
 Barrel: 16" M4, button rifled, 416 stainless steel
 Chambering: 6.8 Remington / SPC
 Bore: Long-life non-chromed bore
 Twist rate: 1x10
 Muzzle: A2 flash suppressor
 Stock: M4, 6-point collapsible
 Length/Weight: 31.75" / 6.62 lbs
 Misc: Uses the 6.8 Remington / SPC cartridge.
 Includes one hicap magazine.
 Also available with 20" barrel.

	Retail
Complete Firearm	\$1038.70
Upper Receiver Assembly	\$637
Unassembled Dealer Kit	N/A



K9, K10, K40, K45

Upper type: Forged A2 w/ fully adjustable rear sight
 Front sight: Elevation adjustable post w/ bayonet lug
 Handguard: Fiberite carbine length caps
 Barrel: 16", button rifled, 416 stainless steel
 Chambering: 9mm, 10mm, 40 S&W, 45 ACP
 Bore: Long-life non-chromed bore
 Twist rate: 1x16
 Muzzle: Pistol cal flash suppressor
 Stock: M4, 6-point collapsible
 Length/Weight: 31.625" / 6.73 lbs
 Misc: Includes one magazine. The flash suppressor is made by Olympic Arms and the type depends on the caliber and barrel threads.

	Retail
Complete Firearm	\$1006.20
Upper Receiver Assembly	\$721.50
Unassembled Dealer Kit	N/A



K9-GL, K40-GL

Upper type: Forged A2 w/ fully adjustable rear sight
 Front sight: Elevation adjustable post w/ bayonet lug
 Handguard: Fiberite carbine length caps
 Barrel: 16", button rifled, 416 stainless steel
 Chambering: 9mm or 40 S&W
 Bore: Long-life non-chromed bore
 Twist rate: 1x16
 Muzzle: Pistol cal flash suppressor
 Stock: M4, 6-point collapsible
 Length/Weight: 31.75" / 6.86 lbs
 Misc: This model uses Glock® magazines. The flash suppressor is made by Olympic Arms and the type depends on caliber and barrel threads. **A magazine is not included.**

	Retail
Complete Firearm	\$1,092
Upper Receiver Assembly	\$674
Unassembled Dealer Kit	N/A



GL models use Glock® magazines, not included.

OA-93

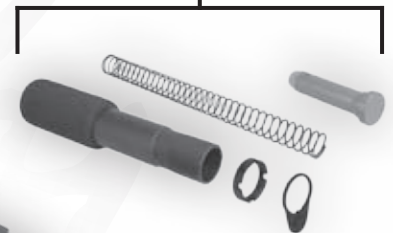
Upper type: Forged flat top w/ OA integrated recoil system
 Front sight: None available
 Handguard: Free floating aluminum tube w/ knurling
 Barrel: 6.5", button rifled, 416 stainless steel
 Chambering: 5.56 nato
 Bore: Long-life non-chromed bore
 Twist rate: 1x7
 Muzzle: Phantom flash suppressor
 Stock: None available
 Length/Weight: 17.00" / 4.46 lbs

	Retail
Complete Firearm	\$1,202.50
Upper Receiver Assembly	\$834
Unassembled Dealer Kit	N/A
Oly Arms Rail Sight	\$107



OAS

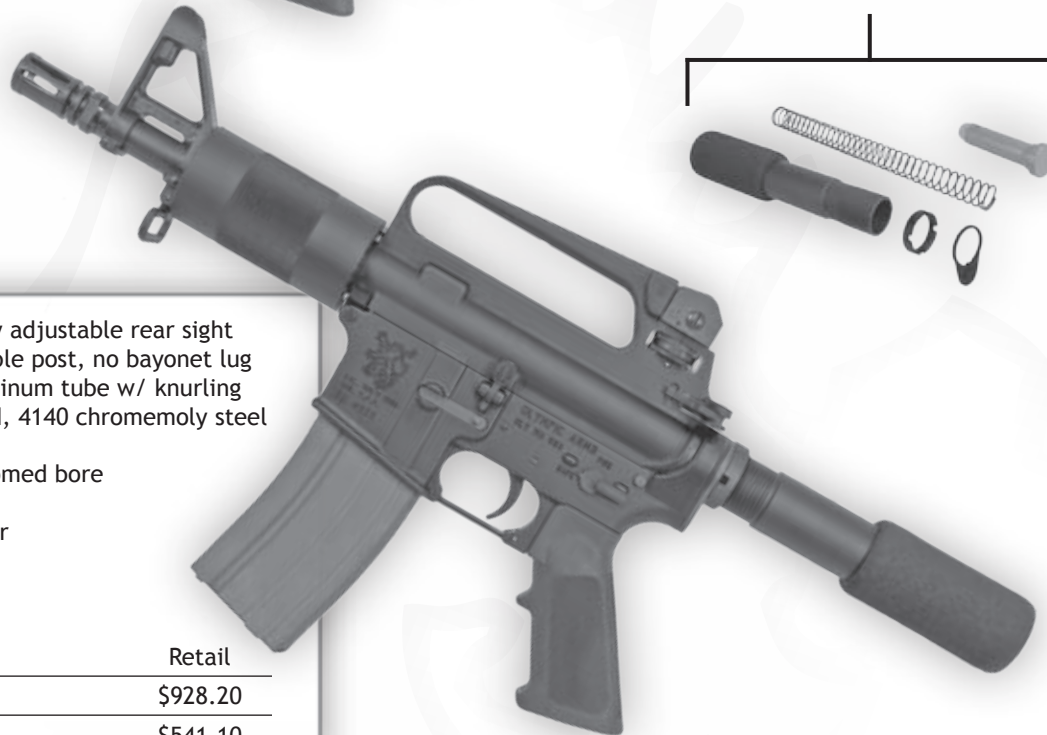
K23PRSA



K23P

Upper type: Forged A2 w/ fully adjustable rear sight
 Front sight: Elevation adjustable post, no bayonet lug
 Handguard: Free floating aluminum tube w/ knurling
 Barrel: 6.5", button rifled, 4140 chromemoly steel
 Chambering: 5.56 nato
 Bore: Long-life non-chromed bore
 Twist rate: 1x7
 Muzzle: A2 flash suppressor
 Stock: None available
 Length/Weight: 22.25" / 5.12 lbs

	Retail
Complete Firearm	\$928.20
Upper Receiver Assembly	\$541.10
Unassembled Dealer Kit	N/A
K23P Recoil Spring Assembly	\$41.60



Factory Options | AR-15 Carbines, Rifles & Pistols

Code	MSRP	Description
FT	\$0.00	Forged flat top upper receiver with picatinny rails
A2	\$0.00	Forged A2 upper receiver with fully adjustable rear sight
A3	\$103.30	Forged flat top upper receiver with picatinny rails and detachable carry handle
FTJ	\$42.00	Factor trigger job (FTJ is standard on UM, SM)
2ST	\$136.50	Two-stage trigger
WST	\$193.70	Williams set trigger (WST is standard on UM-1P models) <i>[Not available on all models]</i>
H12-30	\$24.70	Extra 30 round magazine
H12WSSM	\$38.94	Extra 6 round WSSM magazine
HBP-1	\$84.50	Harris Bipod (if installing on FIRSH, you will need the BPM option)
HBP-1-GI	\$97.50	Harris Bipod and Harris #5 adapter
HBP-S	\$120.90	Harris S-series Bipod (if installing on FIRSH, you will need the BPM option)
HBP-S-GI	\$133.90	Harris S-series Bipod and Harris #5 adapter
BPM	\$25.03	Bi-pod mount for picatinny rails (FIRSH handguard)
BPS	\$26.00	Bipod stud mounted on standard aluminum free-float handguards
HBP#5	\$13.00	Bipod stud/mount for GI handguards
SS	\$52.00	416 stainless steel barrel (SS is standard on some models)
GB	\$49.40	Picatinny gas block for use with free floating handguards
MB	\$34.78	Muzzle brake for use with our PCR barrels (not for BULL for FAR barrels)
+24	\$49.40	Upsize to 24" barrel (not available for all models)
+F	\$90.00	Barrel fluting <i>[Not available on all models]</i>
F2C	\$45.00	Phantom flash suppressor (for models with A2 flash suppressor standard)
M4S	\$24.70	M4 fiberite handguards (for 16" non-bull barrels)
F8A	\$49.40	Upgrade to aluminum tubular free floating handguard for 16" barrels
F7A	\$52.00	Upgrade to aluminum tubular free floating handguard for 20" barrels
F8R	\$128.70	Upgrade to FIRSH free floating handguard for 16" barrels
F7R	\$167.70	Upgrade to FIRSH free floating handguard for 20" barrels (and Eliminator barrel)
F23R	\$110.50	Upgrade to FIRSH free floating handguard for Stubby barrels
F3E	\$20.80	ERGO pistol grip
F3ESG	\$26.00	ERGO Sure-Grip pistol grip
F10	\$61.10	ERGO tactical pistol grip with palm shelf
T30AM4	\$96.20	M4 aluminum 6-point collapsible buttstock
FX	\$81.00	ACE FX skeleton buttstock
FXS	\$83.00	ACE FX stubby skeleton buttstock
FXUL	\$74.00	ACE FX Ultralight skeleton buttstock
FXULS	\$83.00	ACE FX Ultralight stubby skeleton buttstock
MARS	\$96.20	Flip-up sight, multiple aperture rear sight
DFS	\$58.50	Flip-up sight, detachable front sight
MASS	\$148.20	Flip-up sights, front and rear sight set (MARS & DFS)
YHM9394	\$84.00	Yankee Hill Sights
MP-MBUSR	\$57.95	Magpul flip up sight, rear, black
MP-MBUSF	\$39.95	Magpul flip up sight, front, black
MP-MBUS-S	\$97.90	Magpul flip up sights, front and rear, black
CALL		Custom Serial Number (Limit 9 Alpha/Numeric Characters) (Price is Subject to Quantity)

Top End Assemblies | .223 Remington / 5.56 NATO

Code	Item	Retail
K1SA	16" top end assembly, stripped	\$422.50
K1CA	16" top end assembly, complete	\$526.50
K2SA	20" top end assembly, stripped	\$468.00
K2CA	20" top end assembly, complete	\$572.00
K6CA	20" Ultramatch assembly, complete	\$783.90
K8CA	20" Targetmatch assembly, complete	\$539.50

Complete (CA) uppers include a charging handle and bolt carrier assembly and are fully assembled, head-spaced, bore-sighted and test fired by Olympic Arms.

Stripped (SA) uppers do not include a charging handle or bolt carrier assembly and are thus not head-spaced or test fired.

WARNING: When ordering stripped top (SA) end assemblies it is agreed that the purchaser assumes all responsibility with regards to proper assembly, headspace and function. Complete and stripped uppers include our Lifetime Warranty and Satisfaction Guarantee.

K1 These top end assemblies include an A2 upper receiver with fully adjustable rear sight, 16" button rifled barrel in chromemoly steel chambered to 5.56 NATO, handguards, A2 front sight with sling swivel and bayonet lug, threaded muzzle with A2 flash suppressor.



K2 These top end assemblies include an A2 upper receiver with fully adjustable rear sight, 20" button rifled barrel in chromemoly steel chambered to 5.56 NATO, handguards, A2 front sight with sling swivel and bayonet lug, threaded muzzle with A2 flash suppressor.



K6 This top end assembly includes a flat top upper receiver, charging handle, bolt carrier assembly, 20" broach cut bull barrel in stainless steel chambered to .223 Remington, aluminum tubular free floating handguard, gas block with picatinny rails and a crowned muzzle.



K8 This top end assembly includes a flat top upper receiver, charging handle, bolt carrier assembly, 20" button rifled bull barrel in stainless steel chambered to 5.56 NATO with satin bead-blast finish, aluminum tubular free floating handguard, gas block with picatinny rails and a crowned muzzle.

Top End Assemblies | 9mm, 10mm, 40 S&W, 45 ACP

Code	Item	Retail
K9-UR	K1CA unit, 9mm w/ magazine	\$721.50
K10-UR	K1CA unit, 10mm w/ magazine	\$721.50
K40-UR	K1CA unit, 40 S&W w/ magazine	\$721.50
K45-UR	K1CA unit, 45 ACP w/ magazine	\$721.50
+GL	For GL lower receiver, 9mm & 40 S&W only	+\$42.00

Options

FT	Forged flat top upper w/ picatinny rails	0.00
A3	Forged flat top upper w/ carry handle	\$103.30
F8R	FIRSH free floating rail handguard	\$128.70
F8A	Aluminum free floating handguard	\$49.40
BPS	Bipod stud installed on Freefloat handguard	\$26.00
HBP#5	Bipod stud	\$13.00

Additional Magazines

K9-M	30 round Olympic Arms 9mm Pistol cal Mag	\$45.44
K10-M	19 round Olympic Arms 10mm Plstol cal Mag	\$45.44
K40-M	20 round Olympic Arms 40 S&W Pistol cal Mag	\$45.44
K45-M	18 round Olympic Arms 45 ACP Pistol cal Mag	\$45.44

Olympic Arms pistol cal top end assemblies convert your into a pistol caliber dynamo! Choose from 9mm, 10mm, 40 S&W or 45 ACP calibers. No modifications to the lower receiver is necessary, and no tools to install are needed. Just install the pistol caliber conversion upper on your assembled lower, change the magazine and you're good to go.

These kits are also available with a host of the regular options. Options include flat top upper, free floating handguards, bipod studs and mounts, rail kits and more.

These top end assemblies are fully assembled, head-spaced, bore-sighted and test-fired for function with 5 rounds.

NOTE: Pistol cal barrels are not available as M4, fluted or featherweight contours.

Also Available with Picatinny Flat-top Upper!



The feed ramp in the Pistol Caliber Upper Receivers has changed slightly over the years and may not work in all Upper Receivers without minor modification.

If you purchase a magazine and it doesn't feed properly send in your upper receiver to the factory to perform this modification free of charge.



Pistol Caliber magazine parts are available on www.olyarms.com

Pistol Cal Parts | 9mm, 10mm, 40 S&W, 45 ACP

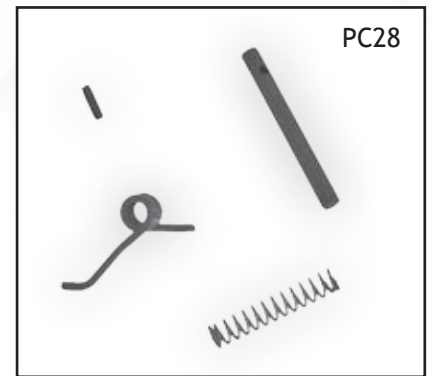
**For use with
Olympic Arms
pistol caliber only!**



Code	Item	Retail
ESEJP	Pistol cal, Espring ejector spring	\$5.56
PC24—__	Pistol cal, bolt carrier assembly (specify caliber)	\$153.40
PC26—__	Pistol cal, bolt assembly (specify caliber)	\$84.50
PC36—__	Pistol cal, extractor (specify caliber)	\$25.00
PC38	Pistol cal, extractor spring	\$1.43
PC39B	Pistol cal, firing pin spring	\$1.43

Calibers	
9	9mm
10	10mm
40	40 S&W
45	45 ACP

Parts Sets		
PC28	Pistol cal, ejector spring assembly	\$14.30



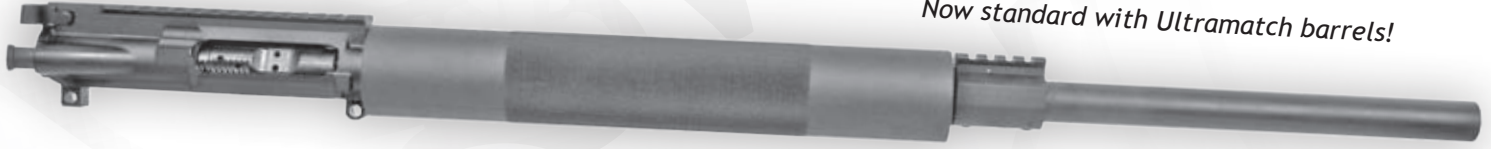
These pistol caliber parts are for use with Olympic Arms pistol caliber AR-15 models only! Our pistol caliber parts will not work in other manufacturer's models. Nor will another manufacturer's pistol cal parts work in Olympic Arms pistol cal models.

Bolt carrier assemblies [PC24] are complete with carrier, two hex screws, carrier block, cam pin, firing pin, firing pin spring, firing pin retaining pin and a complete bolt. The bolts [PC26] are complete and include the extractor.

The pistol caliber ejector spring assembly [PC28] includes an ejector spring, ejector spring retainer, ejector spring retainer pin and ejector spring positioning spring.

Top End Assemblies | 6.8 Remington, 7.62 x 39mm, 5.45 x 39mm, WSSM

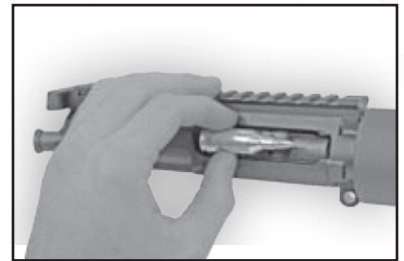
K8-MAG-UR These top end assemblies include a flat top upper receiver with picatinny rail, charging handle, bolt carrier assembly, 24" or 20" bull diameter Ultramatch broach-cut barrel in stainless steel chambered to the Winchester Super Short Magnum caliber specified. Also includes a free floating aluminum tube handguard with knurled surface and a gas block with picatinny rail. Also includes one 6 round magazine for WSSM.



Now standard with Ultramatch barrels!

Code	Item	Retail
K8-MAG-UR—___	K8-MAG top end assembly, WSSM (specify caliber)	\$895.70
K30R-UR	K30R top end assembly, 7.62 x 39mm	\$588.90
K68-UR	K68 top end assembly, 6.8 Remington / SPC	\$637.00
K74-UR	K74 top end assembly, 5.45 x 39mm	\$608.40
Super Short Magnum Calibers		
223-WSSM	Winchester Super Short Magnum .223	
243-WSSM	Winchester Super Short Magnum .243	
25-WSSM	Winchester Super Short Magnum .25	
300-OSSM	Olympic Super Short Magnum .300	

The WSSM upper receivers do not have a brass deflector or an ejection cover assembly.



Additional Magazines

H12WSSM	Additional 6 round magazine, WSSM	\$38.94
H12-762	Additional 30 round magazine, 7.62 x 39mm	\$35.04
H1268	Additional 25 round magazine, 6.8 Remington / SPC	\$36.34

These top end assemblies are fully assembled, head-spaced, bore-sighted and test fired. Includes our Lifetime Warranty and Satisfaction Guarantee.

K68-UR These uppers include your choice of an A2 or Picatinny Flat-top upper. As a complete upper, it also includes charging handle, bolt carrier assembly, 16" M4 button rifled barrel in 416 stainless steel chambered to 6.8 Remington/SPC, M4 handguards, front sight with sling swivel and bayonet lug, threaded muzzle with A2 flash suppressor. Includes one 25 round magazine for 6.8 Remington / SPC. Also available with 16" and 20" heavy contour barrels as well.



K30R-UR This top end assembly includes an A2 or flat top upper receiver with fully adjustable rear sight, charging handle, bolt carrier assembly, 16" button rifled barrel in 416 stainless steel chambered to 7.62 x 39mm, handguards, A2 front sight with sling swivel and bayonet lug, threaded muzzle with A2 flash suppressor. Also includes one hicap magazine for 7.62 x 39mm.

Conversion Systems | .22 LR

22 Partner The Partner gets you more use from your AR-15. Just swap the top end from your AR-15 with the Partner top end and you can now shoot .22 LR ammunition. This system is a specialized top end assembly with easy to insert sleeves, .22 Long Rifle bolt adapter assembly and a magazine insert. No special tools are required to install or use the Partner system. Also available as a flat top upper.

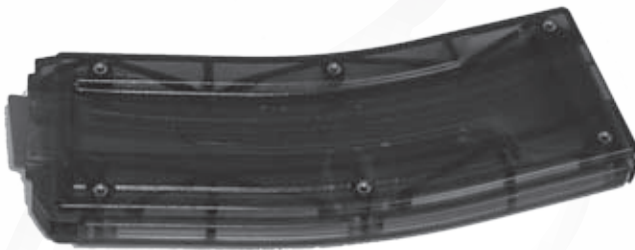


Code	Item	Retail
Complete Partner AR-15		
22SR	Partner AR-15, .22 LR	\$819.00
Partner AR-15 Top End Assembly		
22SU	Partner top end assembly, .22 LR	\$512.20
Adapters		
RFA	Rimfire Adapter, .22 LR	\$161.20
RFA-545	Rimfire Adapter 5.45x39	\$164.00
Magazines		
H12-2230	AR-15 Magazine 20 Round .22LR	\$32.44
H12-2210	AR-15 Magazine 10 Round .22LR	\$32.44

Partner available for .22 LR ammunition only. Sleeves can only be used with the Partner top end assembly.

The magazine adapter requires an AR-15 magazine and can hold up to 10 rounds.

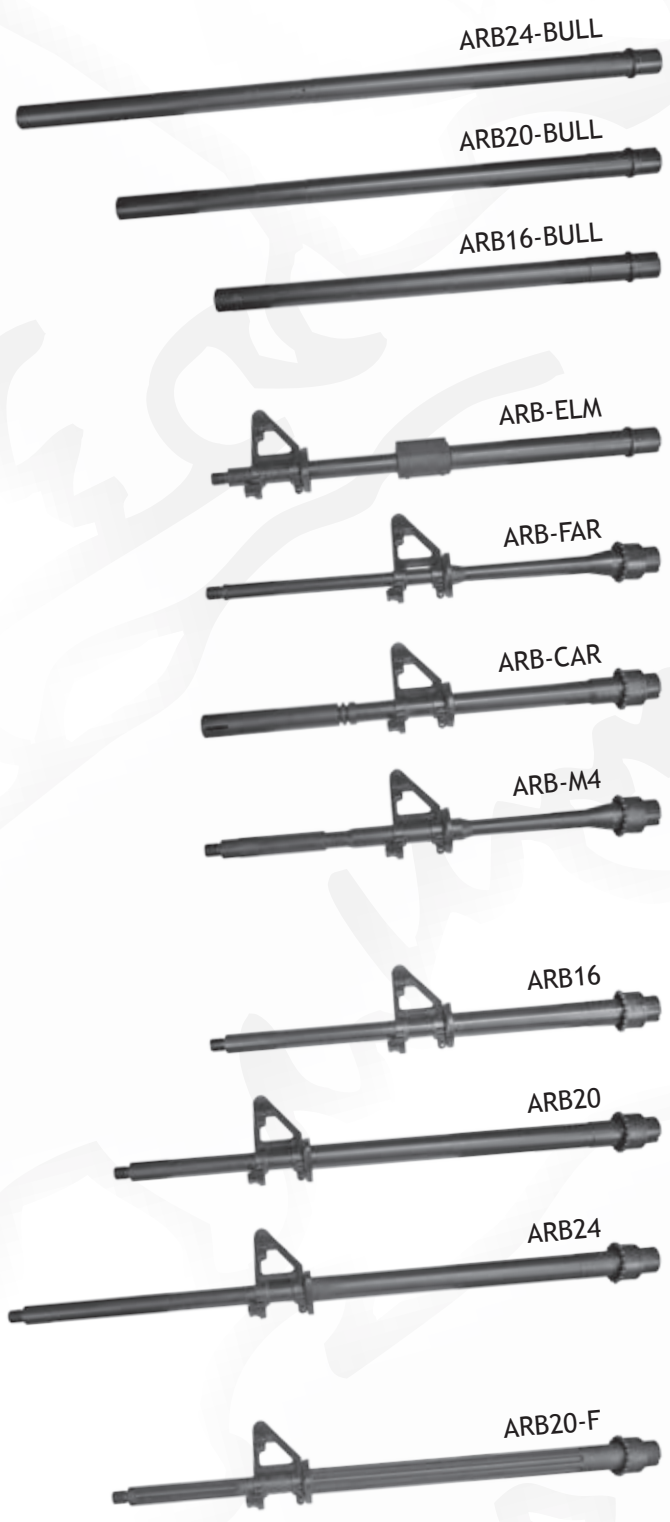
Rimfire adapter available only for .22 LR.



Rimfire Adapter This system lets you quickly adapt your rifle to use .22 LR or 5.45x39 ammunition. Your standard bolt carrier assembly is removed and the RFA bolt adapter is inserted into its place.

AR-15 Barrels | Ultramatch Barrels

The ARB barrels are made from 4140 chromemoly steel and are precision button rifled with six lands and grooves, a standard 1x9" twist rate, a barrel nut and complete front sight base assembly with bayonet lug. Our SUM (Stainless Ultramatch) barrels are made from 416 stainless steel bar stock and broach-cut to the GI specified National Match four lands and grooves bore. Each barrel blank is double heat stress relieved then air-gauged for consistency.



Code	Item	Retail
Button Rifled Barrels Twist Rate: 1x9, optional 1x8 5.56 NATO		
ARB16	16"	\$175.50
ARB20	20"	\$223.60
ARB24	24"	\$252.20

ARB-FAR	16" Featherweight contour, includes SS	\$193.00
ARB-CAR	11.5" w/ 5.5" permanent flash hider	\$168.00
ARB-M4	16" M4 contour, includes SS	\$194.00
ARB-ELM	16" Eliminator barrel	\$266.50

ARB16-PC	16", for pistol caliber chamberings	\$221.00
ARB-CAR-PC	CAR, for pistol caliber chamberings	\$252.20

Ultramatch Barrels Twist Rate: 1x10, optional 1x8 .223 Remington		
SUM16	16" Ultramatch	\$335.40
SUM20	20" Ultramatch	\$345.00
SUM24	24" Ultramatch	\$383.50

Barrel Upgrades		
BULL	16/20/24", bull diameter upgrade	\$0.00
GB980	Gas block for bull barrels	\$49.40
AWB	Muzzle not threaded, no bayonet lug	\$0.00
SS	Stainless steel	\$52.00
SBB	Satin bead blast finish (SS barrels only)	\$20.00
ALT	Alternate twist rate (see list below)	*
ALT-CAL	Alternate caliber (see list below)	*
F	Barrel fluting	\$90.00
	Custom shop fee	\$60.00
	Custom length, contour or thread	\$42.00

Alternate Calibers ARB Barrels Only		
762	7.62 x 39mm	
68	6.8 Remington / SPC	

All barrels ordered with custom shop options (fluting, custom length, contour or threads) are subject to the Custom Shop fee.

Bull barrels have crowned muzzles and will require a free floating handguard, barrel nut and gas block (none included).

ARB-ELM now includes the specialized gas block for under the handguard.

* Custom shop item. 90 day minimum lead time. Custom shop fee applies once for each custom shop item.

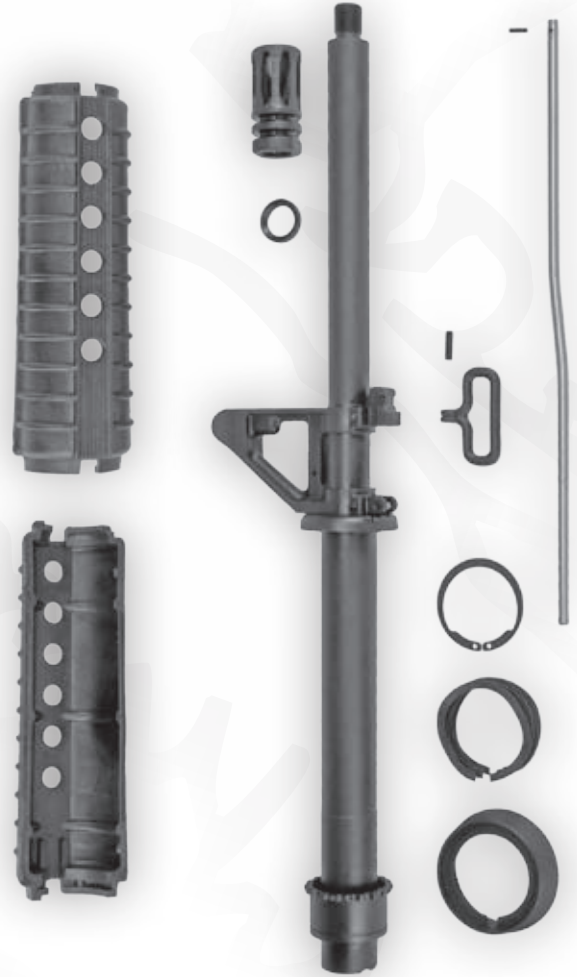
Barrel Assemblies | 5.56 NATO

A complete barrel assembly is exactly what a tired out AR-15 needs, but is also great for reconfiguring. All parts for a complete re-barrel are included. These assemblies do not include receivers and are not assembled, but they are available in a variety of lengths, contours and configurations. Assemblies shown below include button rifled barrels only and are 5.56 NATO only.

Code	Item	Retail
AR-15 Barrel Assemblies		
F1A	16" barrel, chromemoly steel	\$220.25
F1B	16" barrel, stainless steel	\$267.04
F1C	CAR barrel, chromemoly steel	\$275.00
F1D	CAR barrel, stainless steel	\$283.43
F1E	20" barrel, chromemoly steel	\$261.90
F1F	20" barrel, stainless steel	\$275.00
F1G	FAR barrel, stainless steel	\$263.54
F1H	16" M4 contour barrel, stainless steel	\$263.54
F1H68	Sames as F1H in 6.8 Remington caliber	\$316.19
F1K	Eliminator bbl assembly, SS	\$300.51
Barrel Assembly Upgrades		
F8R	FIRSH handguard for 16" barrel kits	\$128.70
F7R	FIRSH handguard for 20" barrel kits	\$167.70
AWB	Muzzle not threaded, no bayonet lug	N/C

CAR barrel is an 11.5" button rifled barrel with a permanently attached 5.5" flash suppressor. FAR barrel is a 16" barrel with a featherweight contour.

Standard barrel assemblies include a threaded muzzle, flash suppressor w/ compression washer, barrel nut, A2 front sight w/ bayonet lug, gas tube, gas tube roll pin, delta ring assembly, sling swivel and appropriate length fiberite handguards.



F1A

Code	Item	Retail
K23B "Stubby" Barrel Assembly		
F1-23	6.5" barrel, chromemoly steel	\$269.00
F23R	FIRSH handguard for 6.5" barrel kit	\$110.50

This assembly features a 6.5" button rifled barrel from 4140 chromemoly steel with threaded muzzle, sling swivel, Phantom flash suppressor, compression washer, barrel nut, free floating aluminum tubular handguard and gas tube. The barrel includes A2 front sight without bayonet.

F1-23 is only available for legally registered AR pistols and short barreled rifles. Please call our Customer Service Team for details as any other use is NOT LEGAL.



F1-23

Lower Receiver Assemblies | Forged Receiver Sets



All of our receivers are forged and made from 7075 T6 aluminum forgings.

Olympic Arms has been manufacturing both upper receivers and lower receivers since 1975 and has a history supplying them to other big name manufacturers.

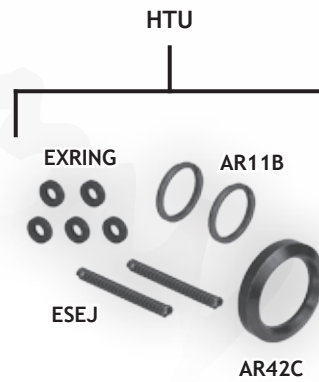
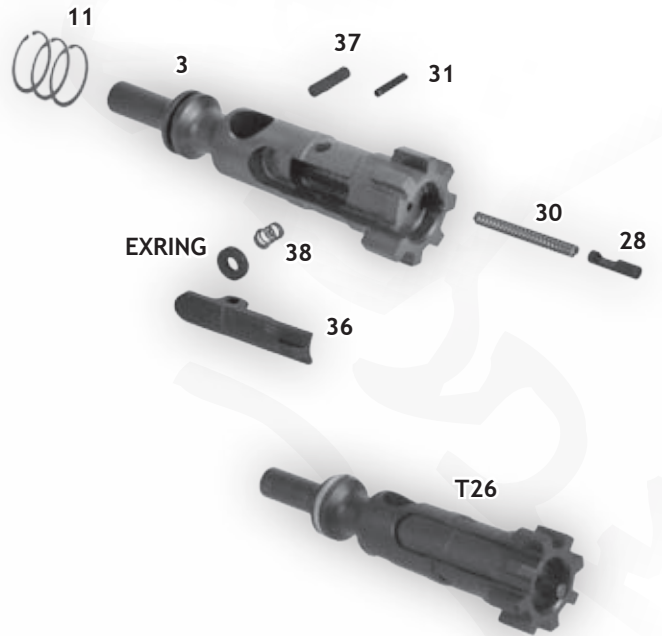
Stripped uppers and lowers do not include any internal or external parts.

Lower receiver sets include the stripped lower receiver, pistol grip, buttstock (either A2 or collapsible) and all internal receiver parts.

Receiver matched sets include a stripped upper and a stripped lower receiver.

Code	Item	Retail
T2	Forged A2 upper, stripped	\$110.50
T12	Forged flat top upper, stripped	\$141.70
T3	Forged lower receiver, stripped	\$141.70
K5A	Forged lower receiver set, A2, assembled	\$323.00
K5U	Forged lower receiver set, A2, unassembled	\$284.70
K5ACS	Forged lower receiver set, collapsible, assembled	\$323.70
K5CSU	Forged lower receiver set, collapsible, unassembled	\$284.70
K5ANS	Forged lower receiver set, no buttstock, assembled	\$271.70
T5	Receiver matched set, T2 & T3	\$234.00
T6	Receiver matched set, T12 & T3	\$233.00
Upgrade options		
F11	Forged Detachable Carry handle for T12	\$104.00
K5 Lower receiver set options		
T30AM4	Aluminum M4 collapsible stock	+\$96.20
F3E	ERGO pistol grip	+\$20.80
SSA	Ambi side sling adapter, collapsible stocks only	+\$18.20

AR-15 Parts | Bolt Carrier Assembly



Code	Item	Retail
AR3	Bolt, complete (223/556 cal)	\$59.80
T26-6	Bolt, complete, pistol caliber, 9mm	\$84.50
T26-10	Bolt, complete, pistol caliber, 10mm	\$84.50
T26-40	Bolt, complete, pistol caliber, 40 S&W	\$84.50
T26-45	Bolt, complete, pistol caliber, 45 ACP	\$84.50
AR3-310	Bolt, complete, 7.62 x 39mm	\$72.80
AR4	Bolt carrier	\$61.10
AR4FA	Bolt carrier, full-auto	\$61.10
AR5	Bolt carrier, key	\$13.00
AR6	Bolt carrier, key screw	\$0.78
AR11	Bolt gas rings, set of 3	\$2.93
AR11B	ERing 1 Piece gas ring	\$8.39
AR16	Cam pin	\$5.85
AR30	ESEJ Ejector spring	\$5.85
AR31	Ejector roll pin	\$0.78
AR36	Extractor	\$14.30
AR37	Extractor pin	\$1.63
AR38	Extractor spring; HD w/o insert	\$2.60
AR39	Firing pin, new	\$10.40
AR40	Firing pin, retaining pin	\$0.78

Add the prefix "AR" to the number shown on the diagram to get the product code. i.e. #6 on the diagram would be "AR6".

Full auto carriers are available when valid S.O.T. or FORM 4 are on file. Call for details.

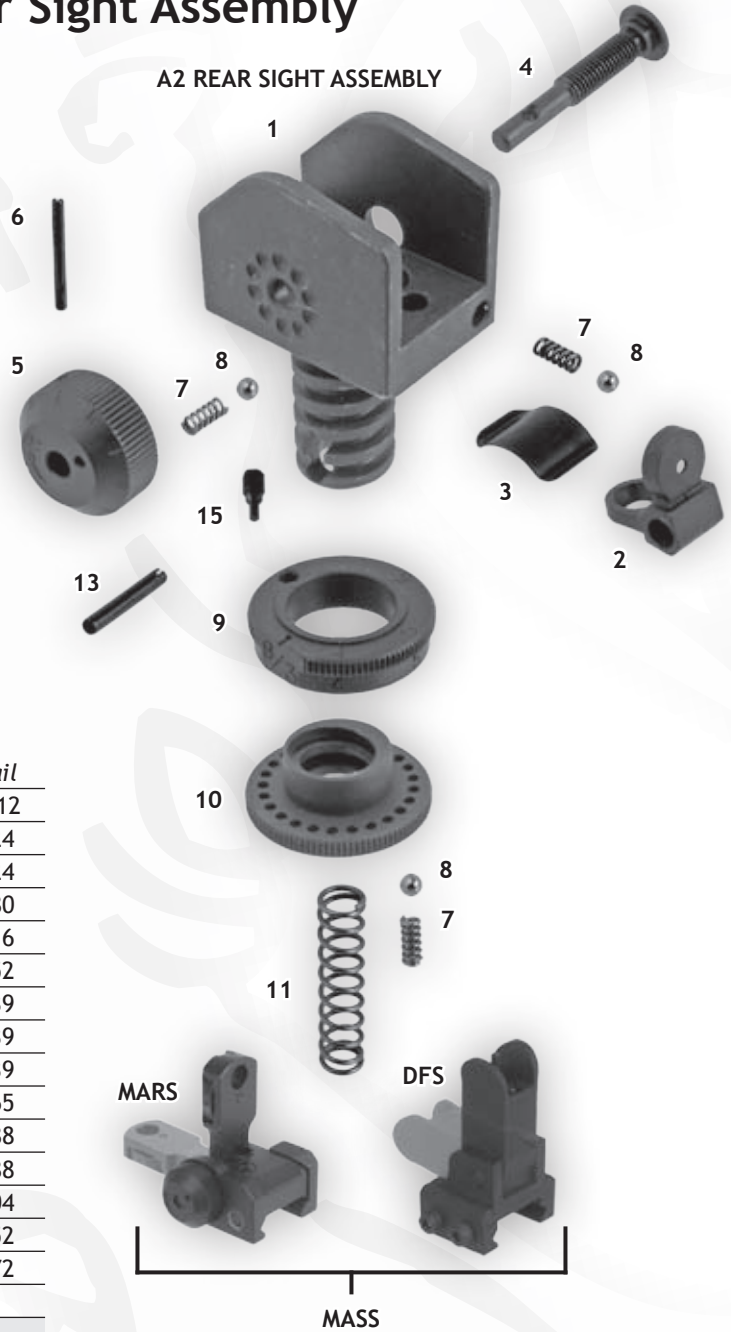
Code	Item	Retail
Additional Products		
AR42C	Compression washer, flash hider	\$4.23
ESEJ	ESpring ejector spring, aka AR30	\$5.85
EXRING	EXring, extractor assist	\$1.90
EXRINGD	Exring, extractor assist, 25pcs	\$28.00
T26	Bolt, complete (223/556), aka AR3	\$59.80
T24A	Bolt carrier assembly, 223/556	\$136.50
T24A762	Bolt carrier assembly, 7.62 x 39mm	\$164.00
T24A68	Bolt carrier assembly, 6.8 rem	\$165.00
HTU	High tech upgrade kit	\$35.00

AR-15 Parts | Rear Sight Assembly

A1 REAR SIGHT ASSEMBLY



A2 REAR SIGHT ASSEMBLY



Code	Item	Retail
T15-1	A2 Sight base	\$11.12
T15-2	A2 Sight aperture	\$6.24
T15-3	Leaf spring	\$1.24
T15-4	Windage screw	\$2.80
T15-5	Windage knob	\$4.16
T15-6	Windage knob, roll pin	\$0.52
T15-7	Windage knob, spring	\$0.39
T15-7	Sight base constant alignment spring	\$0.39
T15-7	Elevation wheel ball-bearing spring	\$0.39
T15-8	Ball bearing	\$0.65
T15-9	Elevation wheel cap	\$4.88
T15-10	Elevation adjustment wheel	\$4.88
T15-11	Elevation base spring	\$1.04
T15-13	Sight base elevation lock roll pin	\$0.52
T15-15	Elevation wheel lock screw	\$0.72

Additional Products		
BJS	Interchangeable aperture system	\$70.30
MARS	Flip up, multiple aperture rear sight	\$96.20
DFS	Flip up, detachable front sight	\$58.50
MASS	Set, flip up rear sight and front sight	\$148.20
T14	Rear sight assembly, A1, windage	\$39.00
T15	Rear sight assembly, A2, full adjustment	\$70.20
T15A	Rear sight assembly, A2, National Match	\$104.00
AR75	A1 rear sight, aperture	\$7.15
AR76	A1 rear sight, adjusting screw	\$3.51
AR77	A1 rear sight, detent spring	\$0.78
AR78	A1 rear sight, detent	\$0.78
AR79	A1 rear sight, leaf spring	\$0.78
AR80	A1 rear sight, windage drum	\$4.88
AR81	A1 rear sight, windage drum roll pin	\$0.78
MP-MBUSF	Magpul Flip up, front, Black	\$39.95
MP-MBUSR	Magpul Flip up, rear, Black	\$57.95
MP-MBUS-S	Magpul Flip up set, front and rear, Black	\$97.90

Add the prefix "T15-" to the number shown on the diagram to get the product code. i.e. #4 on the diagram would be "T15-4".

Rear sight assemblies [T14, T15, T15A] are complete with all parts. The A1 rear sight parts are only for A1 upper receivers and have only windage adjustment. The A2 rear sights do not fit on A1 upper receivers.

Interchangeable aperture system [BJS] features a threaded aperture holder and five separate sized apertures. A tool for changing the apertures is included. Requires an A2 rear sight (not included).



Whitney Wolverine

Page 50



Desert Tan



Pink



Coyote Brown

GAMESTALKER



Flat Top Upper Receiver
22" Stainless Steel Barrel
Free Floating Aluminum Handguard
ACE Skeleton Stock
ERGO Sure Grip
Camouflaged Design
Weighs About 7.5 lbs

Available in: .243 WSSM
.25 WSSM
.300 OSSM

NEW!

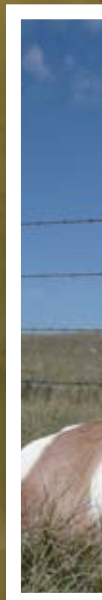
GS2 Now Available in:
6.8 SPC
5.56 NATO
7.62x39
.204 Ruger

Retail \$1,363.70



.300 OLYMPIC SUPER SHORT MAGNUM
Exceeds 30-06 Ballistics
150 grain bullets at 3,000+ fps!
Made by HSM
20 Rounds per box
Call for stock and more information.

Retail \$49.95 per box



Engineered specifically for North American big game hunting!

*Scope not Included



Upper Receivers only available in black

Upper Receiver
Retail \$895.70



Successful field testing of the GAMESTALKER.

Coyote Brown

Upgrade from black to Coyote Brown or Pink on any model with carbine length handguards, pistol grip and collapsible buttstock.

Retail Upgrade \$19.50

Pretty in Pink

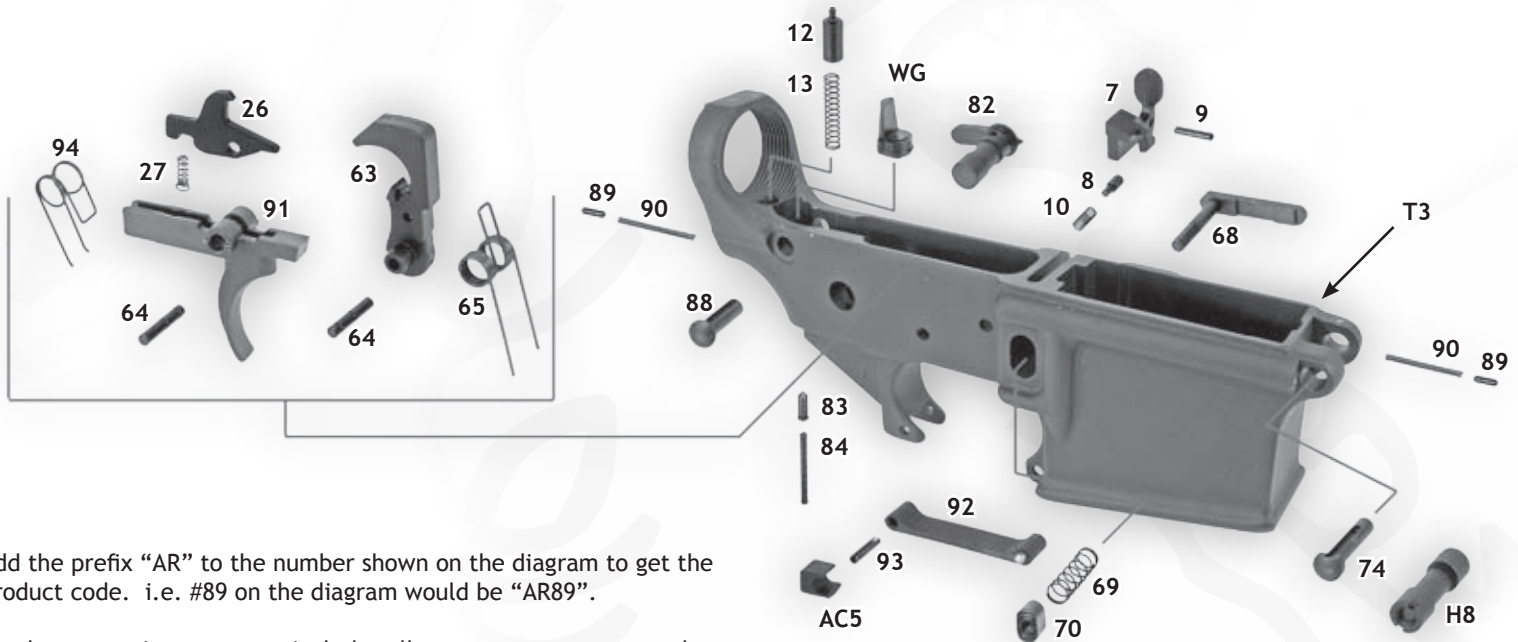
LTF-Predator

- Upper type: Forged flat top w/ picatinny rails
- Front sight: Gas block w/ picatinny rails
- Handguard: Free floating aluminum tube w/ rails
- Barrel: 16", button rifled, 4140 chromemoly steel
- Chambering: 5.56 NATO, 6.8 SPC
- Bore: Long-life non-chromed bore
- Twist rate: 1x9
- Muzzle: A2 flash suppressor
- Stock: ACE FX skeleton stock
- Length/Weight: 35.5" / 6.44 lbs
- Misc: Includes an ERGO grip full length barrel fluting and plenty of rail space making this model *OPTIC READY*.

	Retail
Complete Firearm	\$1,240.20
Upper Receiver Assembly	\$743.60
Unassembled Dealer Kit	N/A
Multiple Aperture Sight System	+148.20
Magpul Flipups, set, Black	+97.90

*Upper Receiver Only Available in black

AR-15 Parts | Lower Receiver Assembly



Add the prefix “AR” to the number shown on the diagram to get the product code. i.e. #89 on the diagram would be “AR89”.

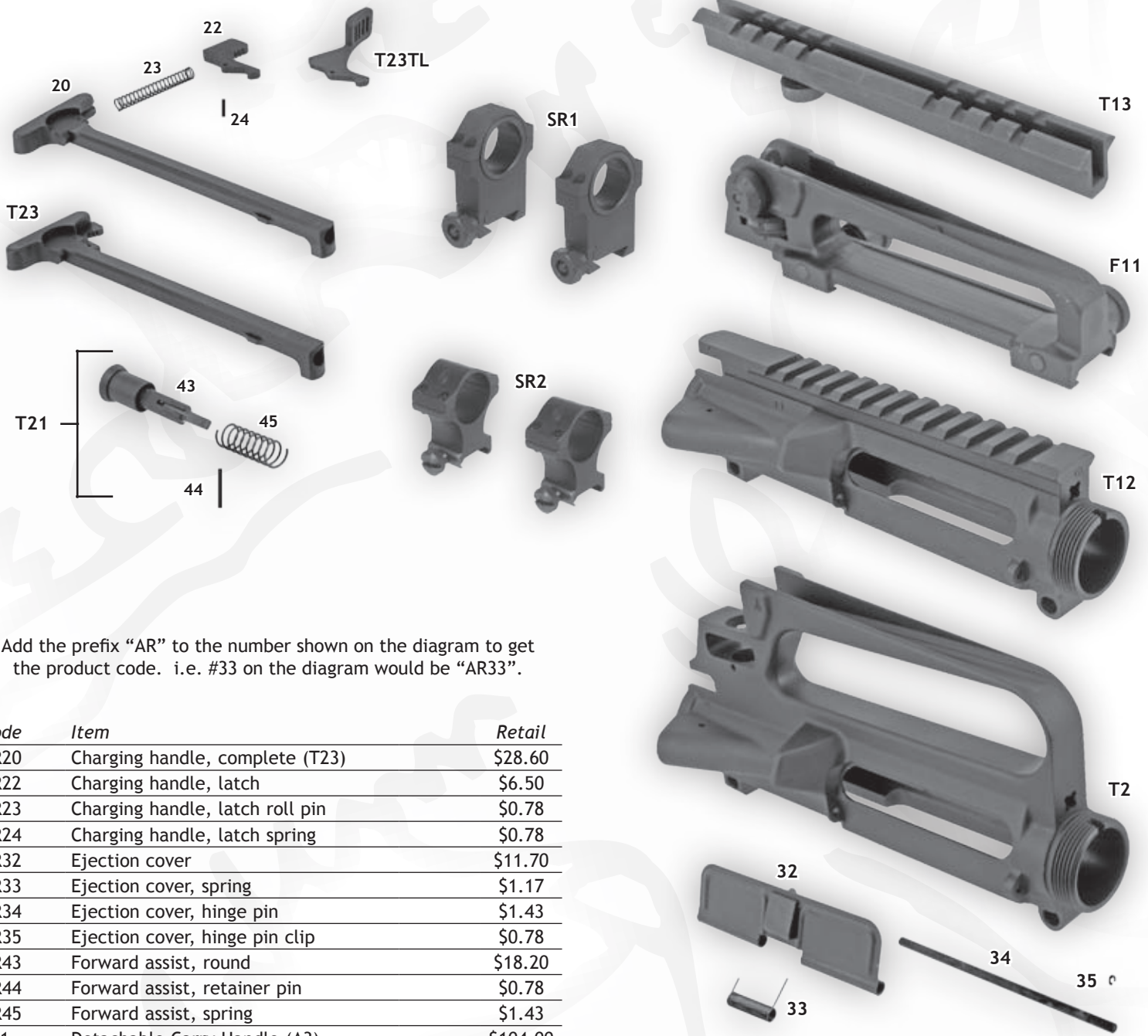
The lower receiver parts set includes all parts necessary to complete a stripped lower receiver not including the buttstock or pistol grip.

Code	Item	Retail
T3	Forged lower receiver, stripped	\$141.70
AR7	Bolt catch	\$8.45
AR8	Bolt catch, plunger	\$1.17
AR9	Bolt catch, roll pin	\$0.78
AR10	Bolt catch, spring	\$0.78
AR12	Buffer detent	\$2.08
AR13	Buffer detent, spring	\$0.78
AR26	Disconnecter	\$5.85
AR27	Disconnecter, spring	\$0.78
AR63	Hammer	\$15.60
AR64	Hammer / trigger pin, 1 pin	\$1.17
AR65	Hammer spring	\$1.43
AR68	Magazine catch	\$6.44
AR69	Magazine catch, spring	\$1.17
AR70	Magazine catch, button	\$2.86
AR74	Pivot pin (front)	\$7.02
AR82	Safety, selector	\$15.28
AR82R	Safety, selector, reversible	\$23.30
AR83	Safety, detent	\$1.43
AR84	Safety, spring	\$1.01
AR88	Takedown pin (rear)	\$7.02
AR89	Detent	\$0.78
AR90	Detent, spring	\$0.78
AR91	Trigger	\$15.28
AR92	Trigger guard	\$7.02
AR93	Trigger guard, roll pin	\$0.78
AR94	Trigger, spring	\$1.43



Code	Item	Retail
Additional Products		
2ST	Two-stage trigger	\$136.50
AC5	Trigger guard, gapper	\$3.51
H8	Pivot pin, GI upper to Colt® lower	\$8.32
H9	Pivot pin, Colt® upper to GI lower	\$6.00
H11	AR-15 field kit	\$44.85
H15	AR64, anti-walk type, 2 pins	\$7.02
T27	Lower receiver parts set	\$73.00
WGA	Wedgie, 1-499 pcs	\$1.94
WGB	Wedgie, 500-999 pcs	\$1.61
WGC	Wedgie, 1000+ pcs	\$1.29

AR-15 Parts | Upper Receiver Assembly



Add the prefix “AR” to the number shown on the diagram to get the product code. i.e. #33 on the diagram would be “AR33”.

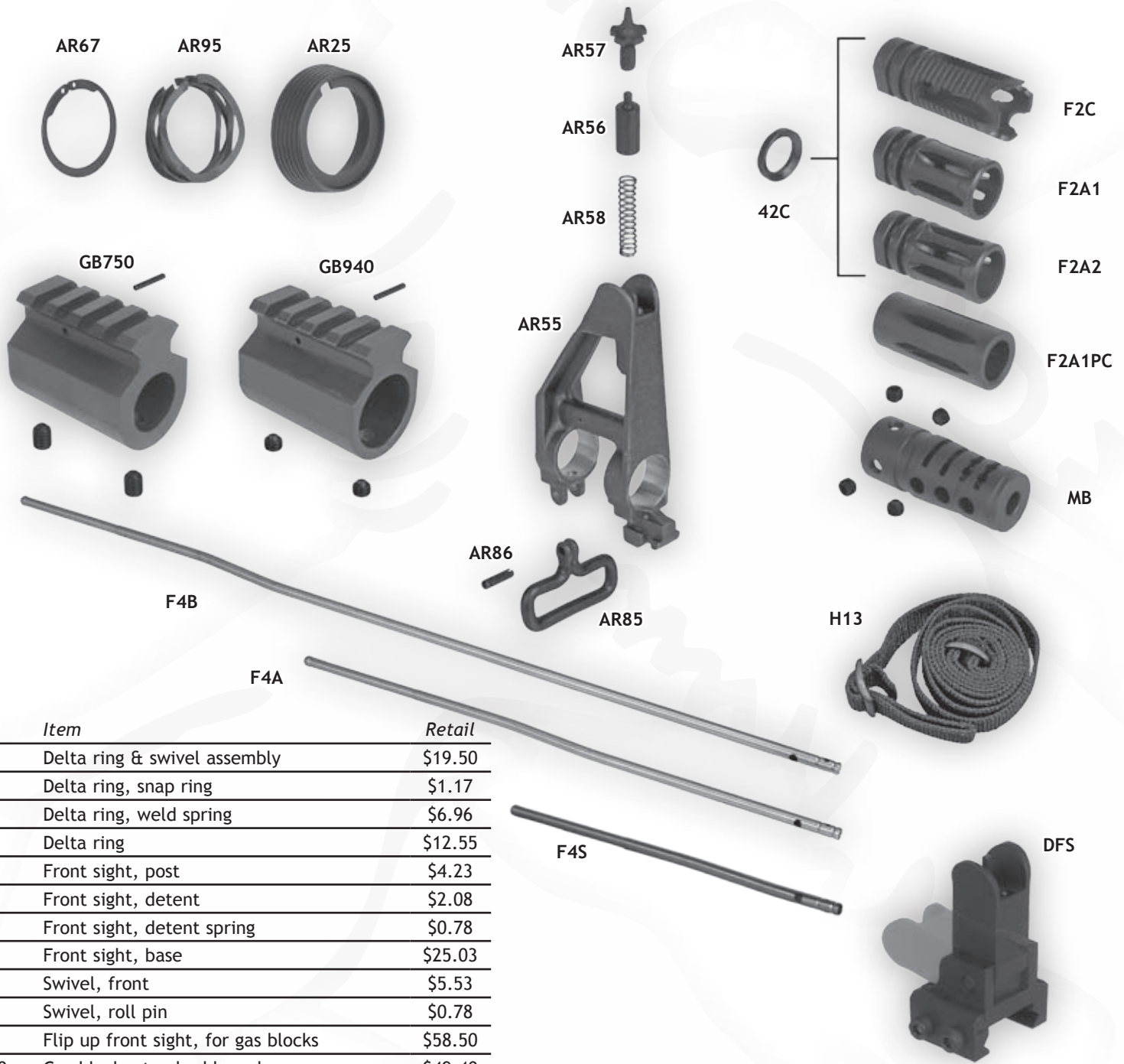
Code	Item	Retail
AR20	Charging handle, complete (T23)	\$28.60
AR22	Charging handle, latch	\$6.50
AR23	Charging handle, latch roll pin	\$0.78
AR24	Charging handle, latch spring	\$0.78
AR32	Ejection cover	\$11.70
AR33	Ejection cover, spring	\$1.17
AR34	Ejection cover, hinge pin	\$1.43
AR35	Ejection cover, hinge pin clip	\$0.78
AR43	Forward assist, round	\$18.20
AR44	Forward assist, retainer pin	\$0.78
AR45	Forward assist, spring	\$1.43
F11	Detachable Carry Handle (A3)	\$104.00
Additional Products		
SR1	Scope rings, 30mm w/ 1” inserts	\$56.00
SR2	Scope rings, 1”	\$25.03
T2	Upper receiver, A2, stripped	\$110.50
T11	Upper receiver, A2, w/ parts	\$190.00
T12	Upper receiver, flat top, stripped	\$141.70
T12A	Upper receiver, flat top, w/ parts	\$170.00
T13	A2 carry handle scope mount	\$19.50
T21	Round forward assist assembly	\$18.00
T22	Ejection cover assembly	\$13.00
T23	Charging handle, complete (AR20)	\$28.60
T23TL	Charging handle, tactical latch	\$28.54

Flat top upper with parts [T12A] includes the flat top receiver, round forward assist assembly and ejection cover assembly. The A2 upper with parts [T11] includes the A2 receiver, round forward assist assembly, ejection cover assembly and rear sight assembly. Stripped receivers [T2, T12] do not include any parts.

Charging handle tactical latch [T23TL] does not include the charging handle itself.

Assembly T21 includes AR43, AR44 and AR45. Assembly T22 includes AR32, AR33, AR34 and AR35. Charging handle T23 and AR20 are the same product.

AR-15 Parts | Barrel Assembly



Code	Item	Retail
F5A	Delta ring & swivel assembly	\$19.50
AR67	Delta ring, snap ring	\$1.17
AR95	Delta ring, weld spring	\$6.96
AR25	Delta ring	\$12.55
AR57	Front sight, post	\$4.23
AR56	Front sight, detent	\$2.08
AR58	Front sight, detent spring	\$0.78
AR55	Front sight, base	\$25.03
AR85	Swivel, front	\$5.53
AR86	Swivel, roll pin	\$0.78
DFS	Flip up front sight, for gas blocks	\$58.50
GB750	Gas block, standard barrel	\$49.40
GB940	Gas block, bull barrel	\$49.40
F4A	Gas tube, carbine length	\$15.60
F4B	Gas tube, rifle length	\$18.20
F4S	Gas tube, Stubby length	\$14.30
AR62	Gas tube, roll pin	\$0.78
AR42C	Compression washer	\$4.23
F2C	Flash suppressor, phantom	\$45.00
F2A1	Flash suppressor, A1 birdcage	\$6.44
F2A2	Flash suppressor, A2 birdcage	\$6.44
F2A1PC	Flash suppressor, pistol cal	\$18.00
H13	Sling, 1" wide nylon	\$5.20
MB	Muzzle brake, for PCR barrels	\$34.78

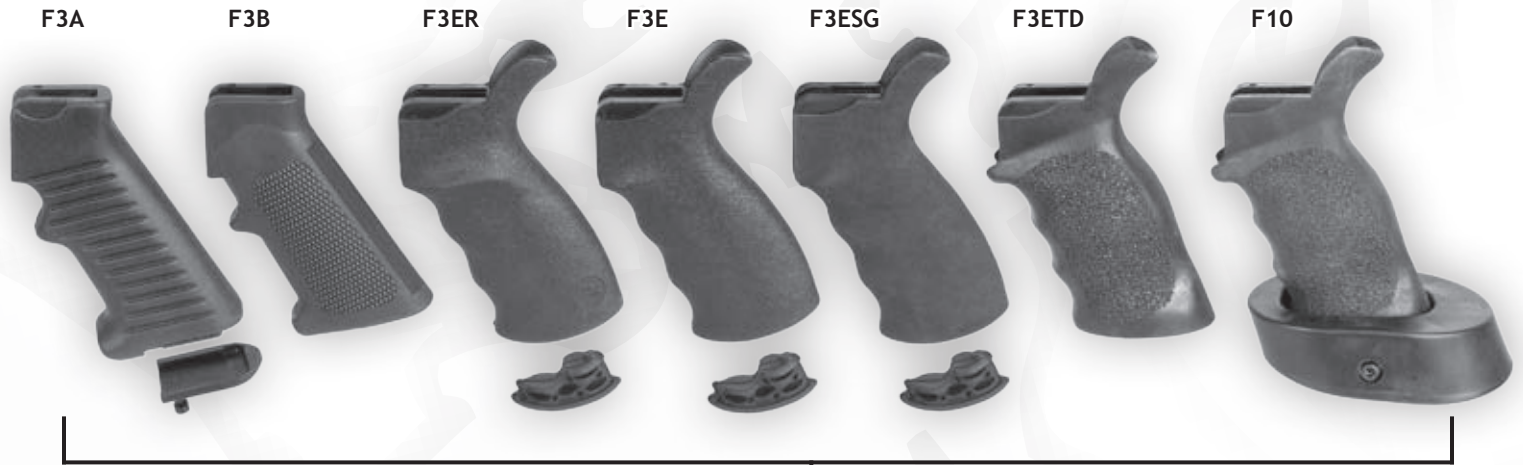
The delta ring & swivel assembly includes the delta ring, weld spring, snap ring, front swivel, roll pin and gas tube roll pin.

Gas blocks include set screws and extended gas tube roll pin.

Gas tubes do not include roll pins. Flash suppressors do not include a compression washer.

Front sight base is not drilled for barrel index pins. This part should be purchased and installed only by qualified gunsmiths.

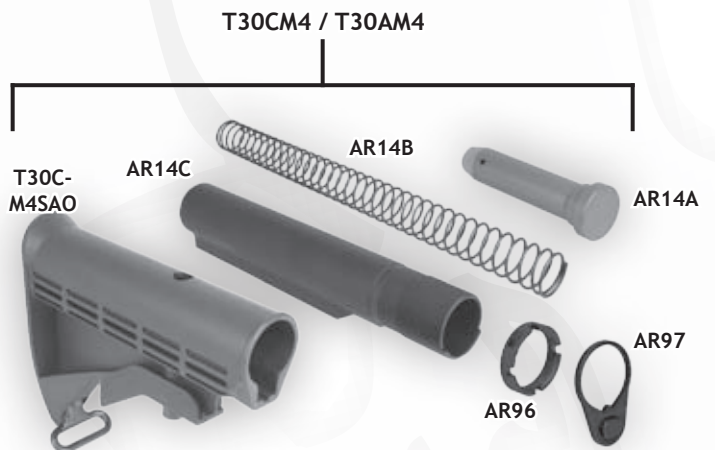
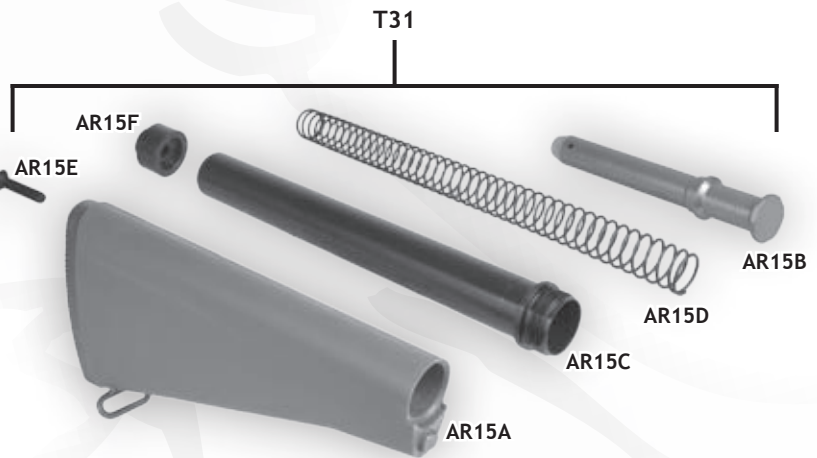
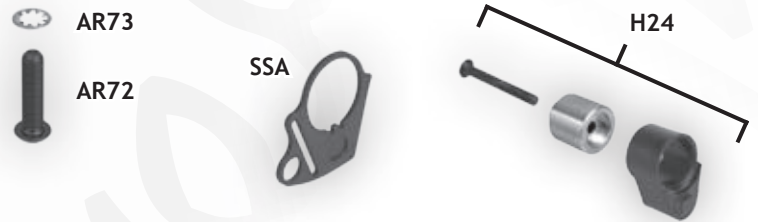
AR-15 Parts | Grips & Buttstocks



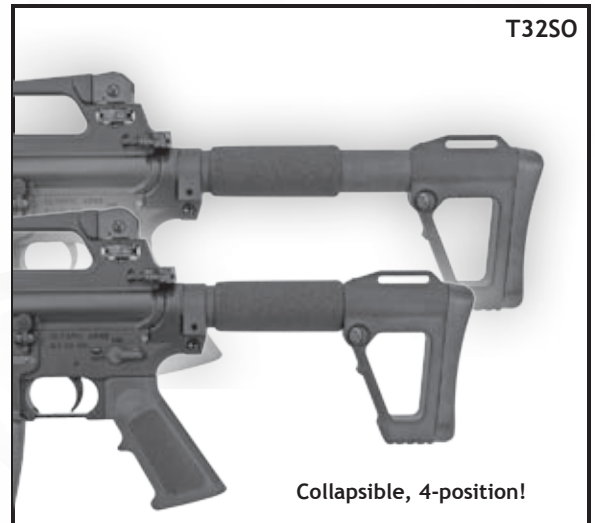
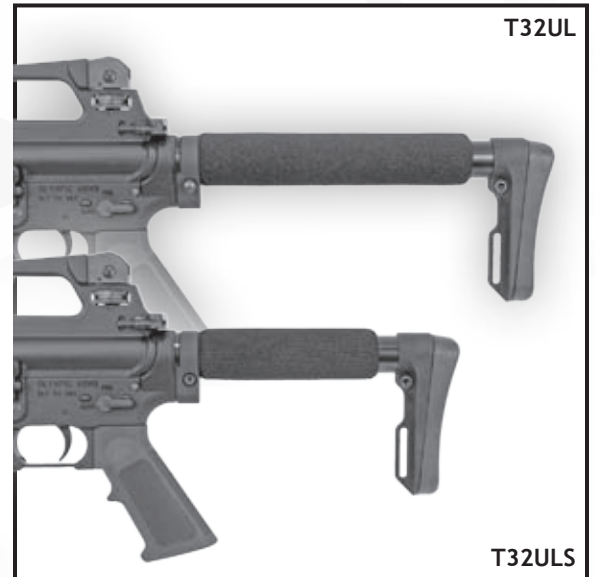
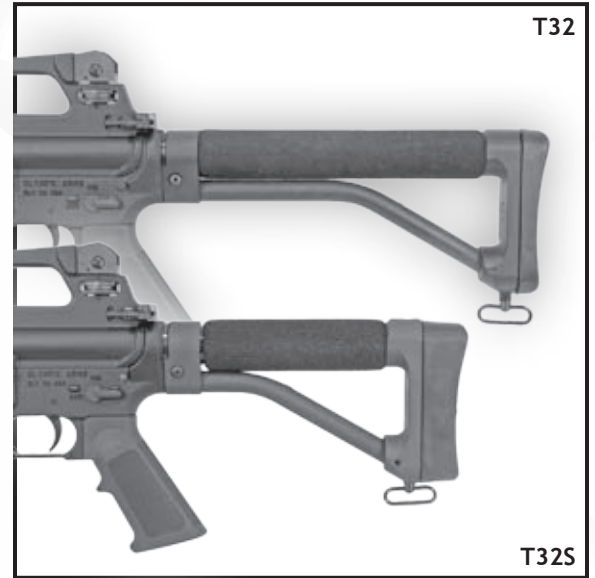
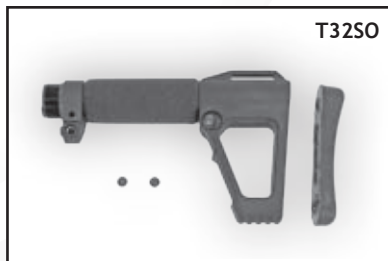
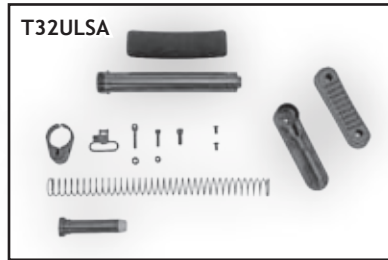
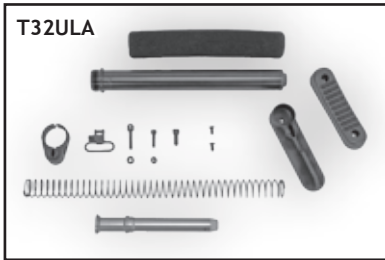
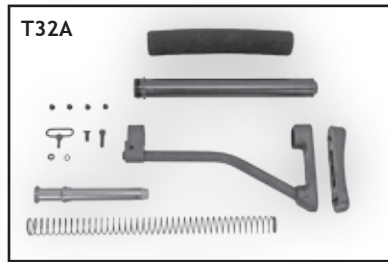
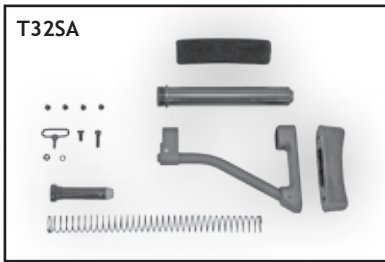
Pistol grips do not include a grip screw or washer. Some ERGO grips will include a gapper [AC5] but is not guaranteed.

Buttstock assemblies include all parts to fit the stock to a lower receiver. Buttstock *shell* assemblies include only the shell portion of the buttstock.

Code	Item	Retail
F3A	Pistol grip, stowaway	\$11.18
F3B	Pistol grip, A2, non-stowaway	\$9.75
F3E	Pistol grip, ERGO	\$20.80
F3ER	Pistol grip, ERGO, right hand	\$20.80
F3ESG	Pistol grip, ERGO, sure grip	\$26.00
F3ETD	Pistol grip, ERGO, tactical deluxe	\$35.10
F10	Pistol grip, ERGO, tactical target	\$61.10
AR72	Pistol grip, screw	\$1.43
AR73	Pistol grip, screw washer	\$0.78
T31	Buttstock, A2, assembly	\$91.00
AR15A	Buttstock, A2, shell assembly	\$48.75
AR15B	Buttstock, A2, buffer weight	\$23.73
AR15C	Buttstock, A2, receiver tube	\$25.03
AR15D	Buttstock, A2, buffer spring	\$5.59
AR15E	Buttstock, A2, screw	\$2.15
AR15F	Buttstock, A2, spacer	\$2.15
H24	Buttstock, A2, 1" extension kit	\$10.40
T30CM4	Buttstock, M4, fiberite	\$71.50
T30AM4	Buttstock, M4, aluminum	\$96.20
AR14A	Buttstock, M4, buffer weight	\$16.90
AR14B	Buttstock, M4, buffer spring	\$5.85
AR14C	Buttstock, M4, receiver tube	\$25.03
AR14G	Buttstock, M4, latch only	\$3.90
T30CM4SAO	Buttstock, Shell & Latch Assem.	\$32.50
AR96	Buttstock, M4, lock ring	\$6.96
AR97	Buttstock, M4, receiver plate	\$3.58
SSA	Buttstock, M4, side sling adapter	\$18.20



AR-15 Parts | ACE® Skeleton Stocks



ACE Ltd, USA is the creator and innovator of skeletonized AR-15 buttstocks on today's market. The FX line of stocks represents the highest quality of lightweight materials, durability under heavy use and comfort for extended use.

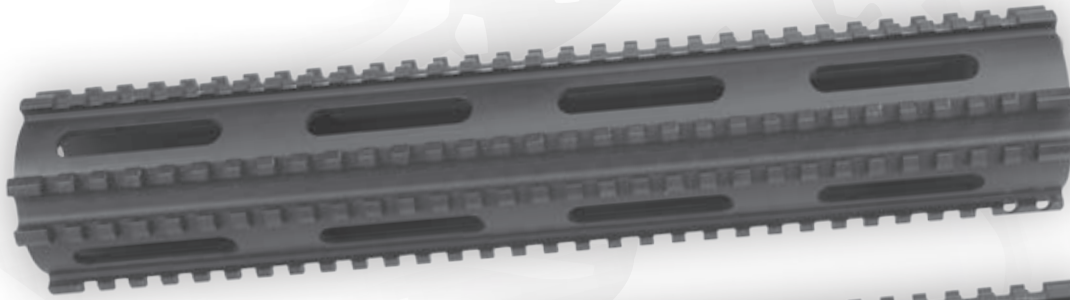
Retro fit stocks get you the parts necessary to switch from an A2 buttstock to the ACE skeleton stock.

Complete kit stocks get you all of the parts for installation onto a stripped lower receiver.

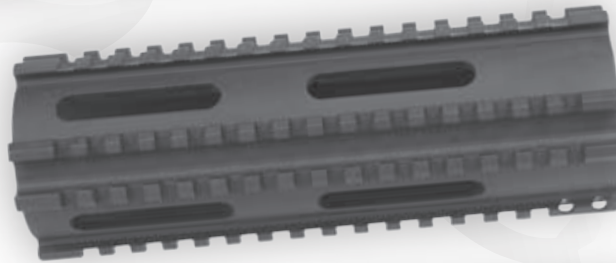
Easy to install and each model includes an optional rubber pad for grip and comfort (*shown installed*).

Code	Item	Retail
T32	FX stock, retro fit	\$113.10
T32A	FX stock, complete kit	\$144.30
T32S	FX stubby stock, retro fit	\$97.50
T32SA	FX stubby stock, complete kit	\$140.00
T32UL	Ultralight stock, retro fit	\$108.88
T32ULA	Ultralight stock, complete kit	\$115.70
T32ULS	Ultralight stubby stock, retro fit	\$115.00
T32ULSA	Ultralight stubby stock, complete kit	\$135.20
T32SO	SOCOM collapsible stock	\$239.20

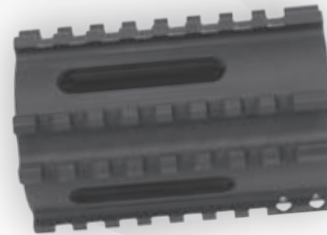
AR-15 Parts | FIRSH Handguards



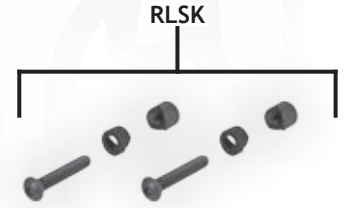
F7R



F8R



F23R



RLSK



F7BN



BPM



BPMS

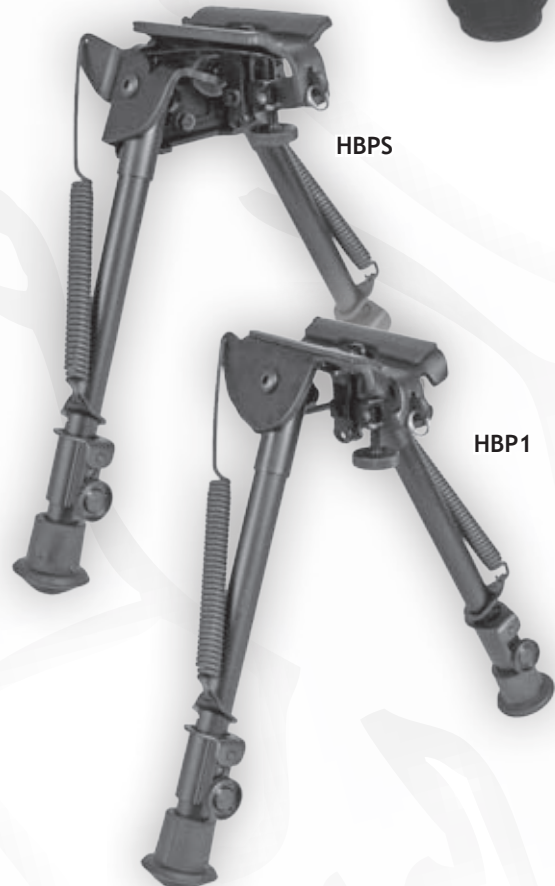


VPGF

*"My only complaint about my FIRSH is that it whistles when I HALO!
(High Altitude-Low Opening parachute operations)."*
-US Army Special Forces member

FIRSH handguards include a barrel nut and lock screw kit.

FIRSH handguards are machined from aluminum extrusion with rails and vents on four sides. Internal diameter is 1.625".

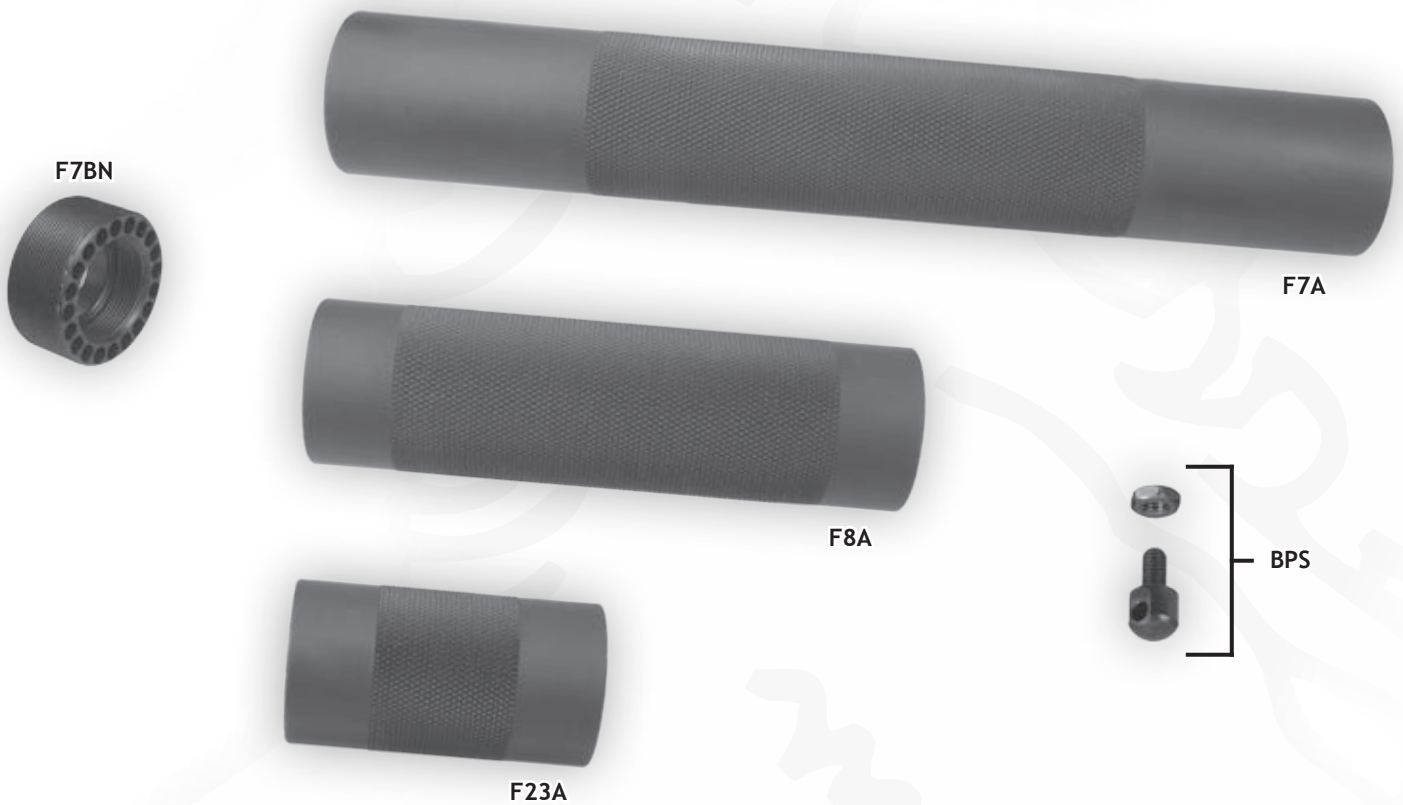


HBPS

HBP1

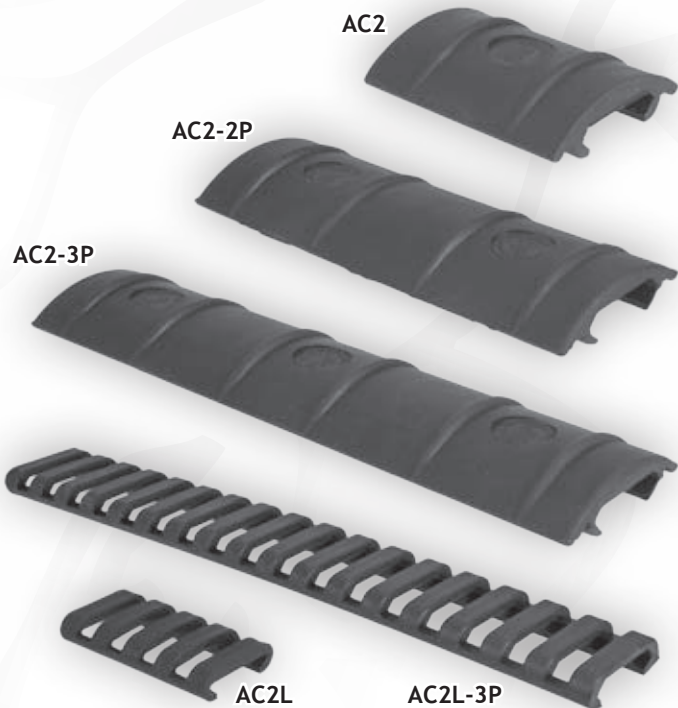
Code	Item	Retail
FIRSH, Free floating quad rail handguards		
F7R	Quad rail handguard, rifle length 12.5"	\$167.70
F8R	Quad rail handguard, carbine length 7.125"	\$128.70
F23R	Quad rail handguard, stubby length 3.625"	\$110.50
RLSK	FIRSH lock screw kit	\$8.00
F7BN	Barrel nut, free floating handguards	\$19.50
Additional Products		
VPGF	Vertical pistol grip, foam grip	\$54.95
HBP1	Harris bipod	\$84.50
HBPS	Harris bipod, "S" series	\$120.90
BPM	Bipod adapter, for FIRSH	\$25.03
BPMS	Bipod adapter, for FIRSH, stud swivels	\$23.40

AR-15 Parts | Aluminum Handguards



Free floating aluminum tube handguards include a barrel nut.

Free floating handguards are machined from aluminum extrusion with a knurled surface in the center. Internal diameter is 1.625".

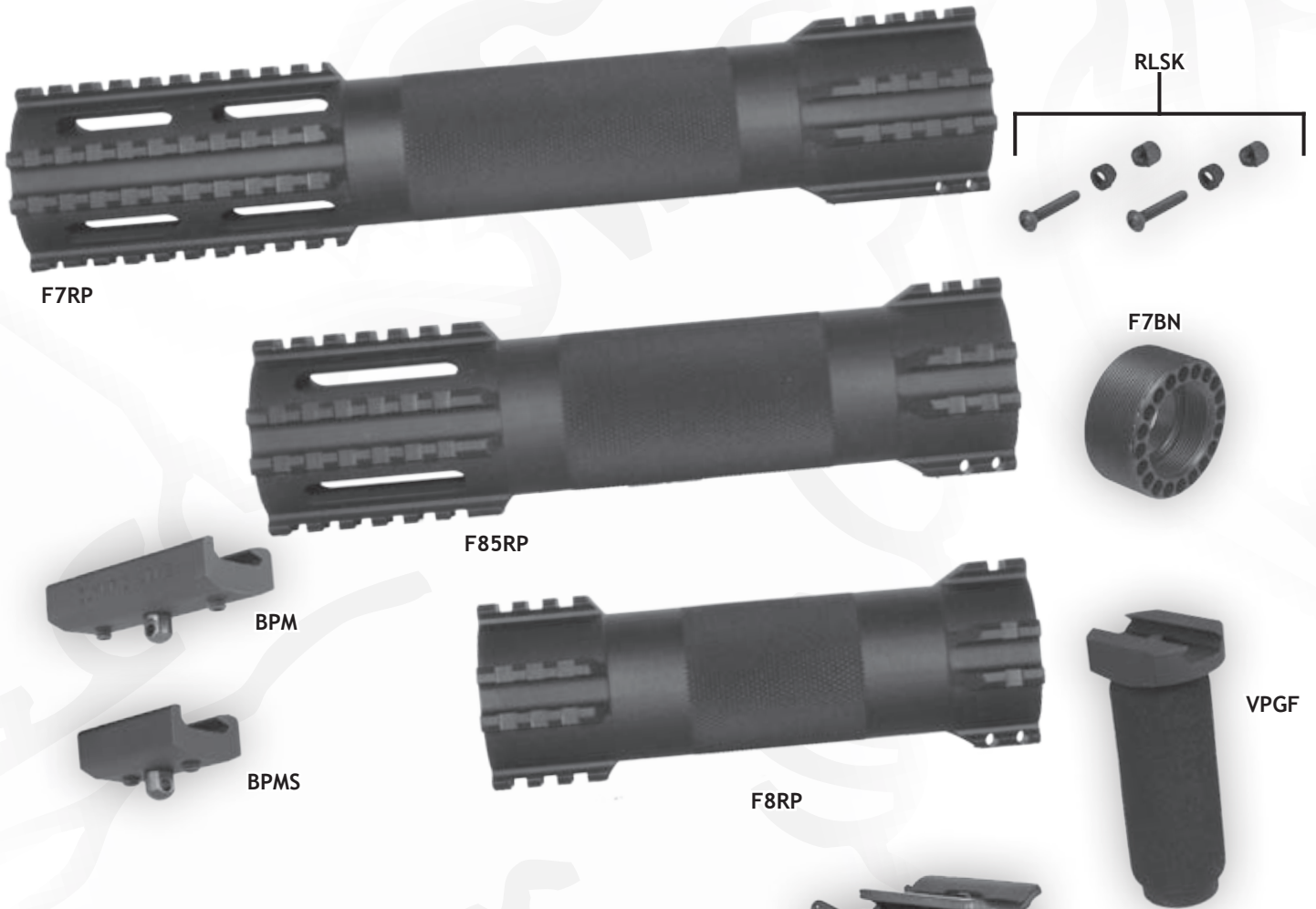


Code	Item	Retail
Free floating aluminum tube handguards		
F7A	Aluminum tube, rifle length 12.5"	\$59.80
F8A	Aluminum tube, carbine length 7.125"	\$49.40
F23A	Aluminum tube, stubby length 3.625"	\$41.60
F7BN	Barrel nut, free floating handguards	\$19.50
BPS	Bipod stud, for aluminum tube	\$2.59

Rail panel covers for FIRSH		
AC2	Rail panel, single, 1.75"	\$3.58
AC2-2P	Rail panel, double, 3.75"	\$7.15
AC2-3P	Rail panel, triple, 5.75"	\$10.40
AC2D	Rail panel, single, 12 pcs	\$38.94
AC2VP	Rail panel, variety pack 5 single, 2 double, 1 triple	\$38.94
+BL	Color: black	
+OD	Color: OD green	
+CB	Color: coyote brown	
AC2L	Slotted panel, single, 1.75"	\$3.58
AC2L-3P	Slotted panel, triple, 6.875"	\$10.40
AC2LD	Slotted panel, single, 12 pcs	\$38.94

Slotted panels are available in black only. Rail panels are standard black. Add a color at no additional cost (i.e. AC2+OD).

AR-15 Parts | Predator Handguards



Predator handguards include a barrel nut and lock screw kit.

Predator handguards are machined from aluminum extrusion with rails and vents on four sides. Internal diameter is 1.625".

Code	Item	Retail
Predator, Free floating quad rail handguards		
F7RP	Quad rail handguard, rifle length 12.5"	\$206.70
F88RP	Quad rail handguard, carbine length 7.125"	\$162.50
F85RP	Quad rail handguard, Mid length 9.250"	\$167.70
The Mid length handguard covers the front sight base of the traditional carbine length gas system and will need a gas block, page 39		
RLSK	FIRSH/Predator lock screw kit	\$8.00
F7BN	Barrel nut, free floating handguards	\$19.50
Additional Products		
VPGF	Vertical pistol grip, foam grip	\$54.95
HBP1	Harris bipod	\$84.50
HBPS	Harris bipod, "S" series	\$120.90
BPM	Bipod adapter, for FIRSH/Predator	\$25.03
BPMS	Bipod adapter, for FIRSH/Predator, stud swivels	\$23.40



AR-15 Parts | Magazines & Handguards

H122230



H12-30



H12



H12-WSSM



Pistol Cal



PML

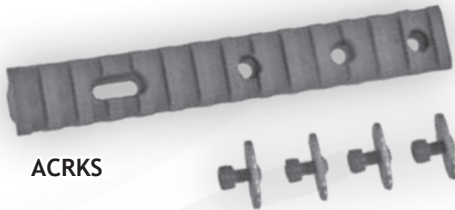


GF



Pistol Caliber magazine parts are available on www.olyarms.com

ACRKS



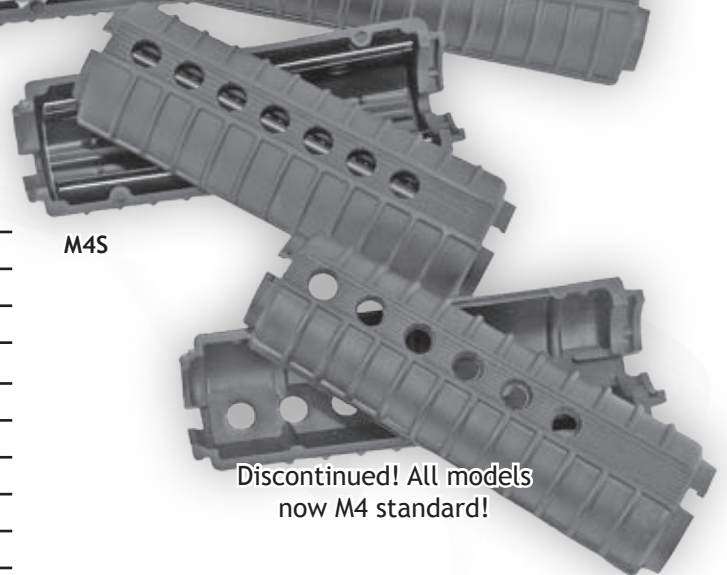
HBP#5



F6



M4S



Discontinued! All models now M4 standard!

Code	Item	Retail
H12	AR-15 magazine, 10 rnd, 223/556	\$20.80
H12-30	AR-15 magazine, 30 rnd, 223/556	\$24.70
H12-WSSM	AR-15 magazine, 6 rnd, WSSM	\$38.94
K9-M	Pistol cal magazine, 30 rnd, 9mm	\$45.44
K10-M	Pistol cal magazine, 19 rnd, 10mm	\$45.44
K40-M	Pistol cal magazine, 20 rnd, 40 S&W	\$45.44
K45-M	Pistol cal magazine, 18 rnd, 45 ACP	\$45.44
GF-A	Magazine follower, 1-500 pcs	\$1.50
GF-B	Magazine follower, 501-1000 pcs	\$1.25
GF-C	Magazine follower, 1001-5000 pcs	\$0.99
GF-10	Magazine follower, 10 pc retail pack	\$13.50
F6	Handguards, fiberite, rifle length 12.5"	\$20.80
M4S	Handguards, fiberite, M4 contour 7.125"	\$24.70
ACRKS	Rail kit, for fiberite handguards	\$16.90
HBP#5	Bipod adapter, fiberite handguards	\$13.00
H12-2230	AR-15 Magazine, 20 Round .22LR	\$32.44
H12-2210	AR-15 Magazine, 10 Round .22LR	\$32.44
PML	Pistol Magazine Loader	\$19.25

Pistol cal magazines are not always in stock. Please check for availability before ordering.

F6 & M4S handguards include heat shield liners.

Rail kit [ACRKS] attaches to any of our fiberite handguards without drilling to add picatinny rails for your accessories.

AR-15 Parts | AC4 Pneumatic Recoil Buffer

AC4-NA

Installation is quick and doesn't require tools. Pivot your AR-15 open to get access [#1] at the spring and buffer weight. Remove the spring and buffer weight [#2] by pressing the buffer detent down and releasing the items. Insert the AC4 as shown [#3]. Push the AC4 behind the buffer detent and pivot your AR-15 closed.



The AC4 pneumatic recoil buffer replaces the spring and weight buffer which are standard in today's AR-15 models. The AC4 will provide a smoother recoil, softer recoil feel, reduced muzzle climb, and totally eliminates that distracting sprong noise. Customers often comment on an overall improvement of function when they switched to our AC4 pneumatic recoil buffer.

The AC4 is gas-charged so there will never be messy leaks, common with similar hydraulic products. Testing in extreme temperatures, hot and cold, showed the AC4 pneumatic recoil buffer to be effective in many different types of environments.

The AC4 pneumatic recoil buffers **ONLY FIT A2** buttstocks and buttstocks that use a full length receiver extension tube. The AC4 does **NOT FIT** in many standard collapsible stocks.



Code	Item	Retail
AC4	Pneumatic recoil buffer, adjustable	\$81.90
AC4-NA	Pneumatic recoil buffer, non-adjustable	\$54.60
AC4NA18	Pneumatic recoil buffer, non-adjustable Pistol Caliber	\$50.70

Cleaners | Owner's Manuals



WS16



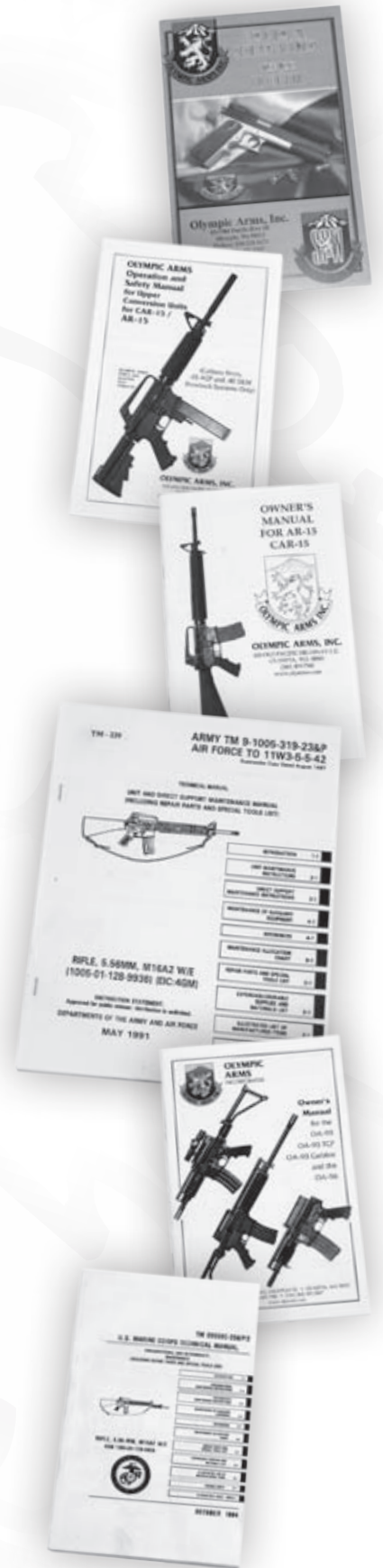
WS4

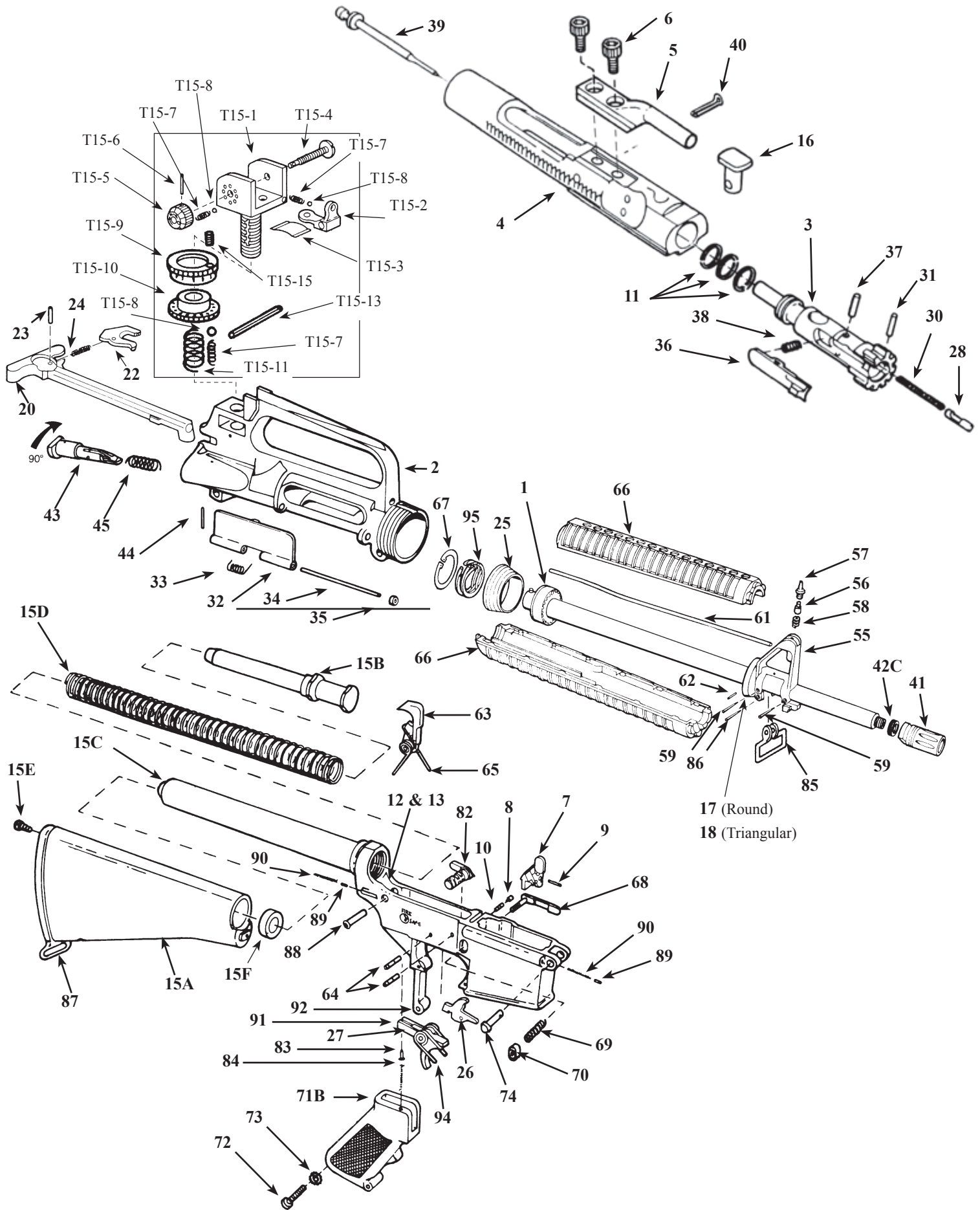
Weapon Shield cleaning products utilize ABF (Advanced Boundary Film) to clean, lubricate and protect your firearms. Provides practical elimination of metal to metal wear, protection for moving metal parts, significant reduction in dust, debris and foulings, increased firearm reliability and increased firearm accuracy.

Slip 2000 products clean, lubricate and preserve your firearms. These are non-toxic and non-hazardous. Penetrates existing lubricants, rust and scale.

Code	Item	Retail
Manuals / Owner's Manuals		
MAN-1	Owner's Manual, AR-15 / PCR	\$4.23
MAN-2	Owner's Manual, Pistol Cal	\$2.93
MAN-3	Owner's Manual, OA-93 / OA-98	\$5.53
H7	Marine Corp AR Manual	\$9.75
TM-220	Army/Air Force M16A2 Manual	\$12.68
TM-225	Army/Air Force M16A2 / M16A4 Manual	\$15.28

Weapon Shield® Products: Cleaning, Lubricate, Protect		
WS16	Weapon Shield, 16 oz, 1 bottle	\$19.95
WS16C	Weapon Shield, 16 oz, case of 12 bottles	\$224.00
WS4	Weapon Shield, 4 oz, 1 bottle	\$11.99
WS4C	Weapon Shield, 4 oz, case of 12 bottles	\$94.95
WS-NO	Weapon Shield Needle Oiler	\$10.99
WSG-S	Weapon Shield Grease Syringe	\$10.99
WSG-T	Weapon Shield Grease - 2 oz. Tub	\$9.99
WSG-LB	Weapon Shield Grease - 1 lb. Tub	\$19.99



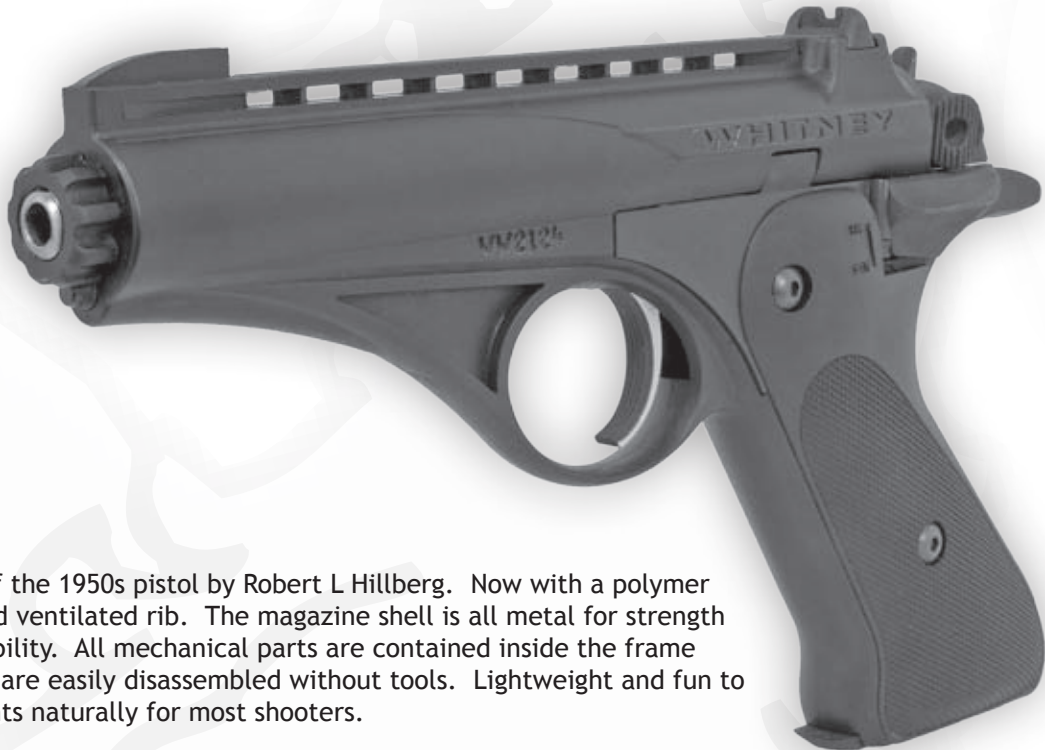


AR-15 Parts | Line Drawing Reference

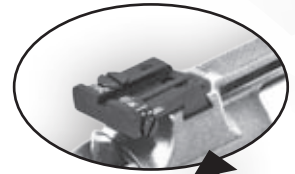
Code	Description	Retail
AR1	Barrel nut	\$13.34
AR2	A2 upper receiver, stripped	\$110.50
AR3	Bolt, complete, .223 / 5.56	\$59.80
PC26-9	Bolt, complete, pistol caliber, 9mm	\$84.50
PC26-10	Bolt, complete, pistol caliber, 10mm	\$84.50
PC26-40	Bolt, complete, pistol caliber, 40 S&W	\$84.50
PC26-45	Bolt, complete, pistol caliber, 45 ACP	\$84.50
AR3-310	Bolt, complete, 7.62x39mm	\$72.80
AR36.8	Bolt, complete, 6.8 Remington / SPC	\$67.60
AR4	Bolt carrier	\$61.10
AR4FA	Bolt carrier, full-auto configuration	\$61.10
AR5	Bolt carrier key	\$13.00
AR6	Bolt carrier key screw	\$0.78
AR7	Bolt catch	\$8.45
AR8	Bolt catch plunger	\$1.17
AR9	Bolt catch roll pin	\$0.78
AR10	Bolt catch spring	\$0.78
AR11	Bolt gas rings, set	\$2.93
AR11B	ERing 1 Piece gas ring	\$8.39
AR12	Buffer detent	\$2.08
AR13	Buffer detent spring	\$0.78
AR14A	Buttstock, M4, buffer weight	\$16.90
AR14B	Buttstock, M4, buffer spring	\$5.85
AR14C	Buttstock, M4, receiver tube	\$25.03
AR14C1	Buttstock, M4, long receiver tube	\$32.50
AR15	Buttstock, A2, assembly (same as T31)	\$91.00
AR15A	Buttstock, A2, shell assembly	\$48.75
AR15B	Buttstock, A2, buffer weight	\$23.73
AR15C	Buttstock, A2, receiver tube	\$25.03
AR15D	Buttstock, A2, buffer spring	\$5.59
AR15E	Buttstock, A2, screw	\$2.15
AR15F	Buttstock, A2, spacer	\$2.15
AR16	Cam pin	\$5.85
AR17	Handguard cap, front, round	\$5.59
AR18	Handguard cap, front, triangle	\$5.59
AR20	Charging handle, complete	\$28.60
AR22	Charging handle, latch	\$6.50
AR23	Charging handle, latch roll pin	\$0.78
AR24	Charging handle, latch spring	\$0.78
AR25	Delta ring	\$12.55
AR26	Disconnecter	\$5.85
AR27	Disconnecter spring	\$0.78
AR28	Ejector	\$4.23
AR30	ESEJ Ejector spring	\$5.85
AR31	Ejector roll pin	\$0.78
AR32	Ejection cover	\$11.70
AR33	Ejection cover, spring	\$1.17
AR34	Ejection cover, hinge pin	\$1.43
AR35	Ejection cover, hinge pin clip	\$0.78
AR36	Extractor	\$14.30
AR37	Extractor pin	\$1.63
AR38	Extractor spring; HD w/o insert	\$2.60
AR39	Firing pin	\$10.40
AR40	Firing pin, retaining pin	\$0.78
AR41	Flash suppressor, A2 birdcage	\$6.44
AR42C	Flash suppressor, compression washer	\$4.23
AR43	Forward assist, round	\$18.20
AR44	Forward assist, retainer pin	\$0.78
AR45	Forward assist, spring	\$1.43
AR55	Front sight base	\$25.03
AR56	Front sight detent	\$2.08

Code	Description	Retail
AR57	Front sight post	\$4.23
AR57A	Front sight post, square	\$5.59
AR58	Front sight post, detent spring	\$0.78
AR59	Front sight base, taper pin	\$1.17
AR60	Gas tube, carbine length	\$15.60
AR61	Gas tube, rifle length	\$18.20
AR62	Gas tube roll pin	\$0.78
AR63	Hammer	\$15.60
AR64	Hammer / trigger pin	\$1.17
AR64	Hammer / trigger pins, anti-walk set	\$7.02
AR65	Hammer spring	\$1.43
AR66	Handguards Rifle length, w/o liners	\$20.80
AR67	Handguard snap ring	\$1.17
AR68	Magazine catch	\$6.44
AR69	Magazine catch spring	\$1.17
AR70	Magazine catch button	\$2.86
AR71A	Pistol grip, stowaway	\$11.25
AR71B	Pistol grip, A2, non-stowaway	\$9.75
AR72	Pistol grip screw	\$1.43
AR73	Pistol grip screw washers	\$0.78
AR74	Receiver pin, front pivot	\$7.02
AR82	Safety selector	\$15.28
AR83	Safety detent	\$1.43
AR84	Safety spring	\$1.01
AR85	Swivel, front	\$5.53
AR86	Swivel pin	\$0.78
AR87	Swivel, rear	\$5.53
AR88	Receiver pin, rear takedown	\$7.02
AR89	Receiver pin, detent	\$0.78
AR90	Receiver pin, detent spring	\$0.78
AR91	Trigger	\$15.28
AR92	Trigger guard	\$7.02
AR93	Trigger guard pin	\$0.78
AR94	Trigger spring	\$1.43
AR95	Weld spring	\$6.96
AR96	Lock ring	\$6.96
AR97	Receiver plate	\$3.58
AR75	A1 Rear sight	\$7.15
AR76	A1 Rear sight adjusting screw	\$3.51
AR77	A1 Rear sight detent spring	\$0.78
AR78	A1 Rear sight detent	\$0.78
AR79	A1 Rear sight leaf spring	\$0.78
AR80	A1 Rear sight windage drum	\$4.88
AR81	A1 Rear sight windage drum roll pin	\$0.78
T15-1	A-2 Sight base	\$11.12
T15-2	A-2 Sight aperture	\$6.24
T15-3	Leaf spring	\$1.24
T15-4	Windage srew	\$2.80
T15-5	Windage knob	\$4.16
T15-6	Windage knob roll pin	\$0.52
T15-7	Windage knob spring	\$0.39
T15-7	Sight base constant alignment spring	\$0.39
T15-7	Elevation wheel ball-bearing spring	\$0.39
T15-8	Ball bearing	\$0.65
T15-9	Elevation wheel cap	\$4.88
T15-10	Elevation adjustment wheel	\$4.88
T15-11	Elevation base spring	\$1.04
T15-13	Sight base elevation lock roll pin	\$0.52
T15-15	Elevation wheel lock screw	\$0.72

Whitney Wolverine | Models & Accessories



Revival of the 1950s pistol by Robert L Hillberg. Now with a polymer frame and ventilated rib. The magazine shell is all metal for strength and durability. All mechanical parts are contained inside the frame shell and are easily disassembled without tools. Lightweight and fun to use. Points naturally for most shooters.



WWAS

Whitney Wolverine Specifications:

- 4.625" Barrel
- 6-groove, 1x16 twist rate
- 5.25" Sight radius
- Blade type front sight
- Dovetail rear sight
- Uses .22 Long Rifle
- Magazine capacity: 10 rounds
- Black checkered grips
- Length: 9"
- Height: 5.5"
- Empty Weight: 19.2 oz.



WWS

Code	Item	Retail
WW	Whitney Wolverine, .22 LR Pistol, Black	\$294.00
	Original Whitney Wolverine Repair	68.00/hr
WWP	Whitney Wolverine, .22 LR Pistol, Pink	\$294.00
WWDT	Whitney Wolverine, .22 LR Pistol, Desert Tan	\$294.00
WWCB	Whitney Wolverine, .22 LR Pistol, Coyote Brown	\$294.00
	To View the colors, see page 33	



WWFS

Whitney Wolverine Accessories

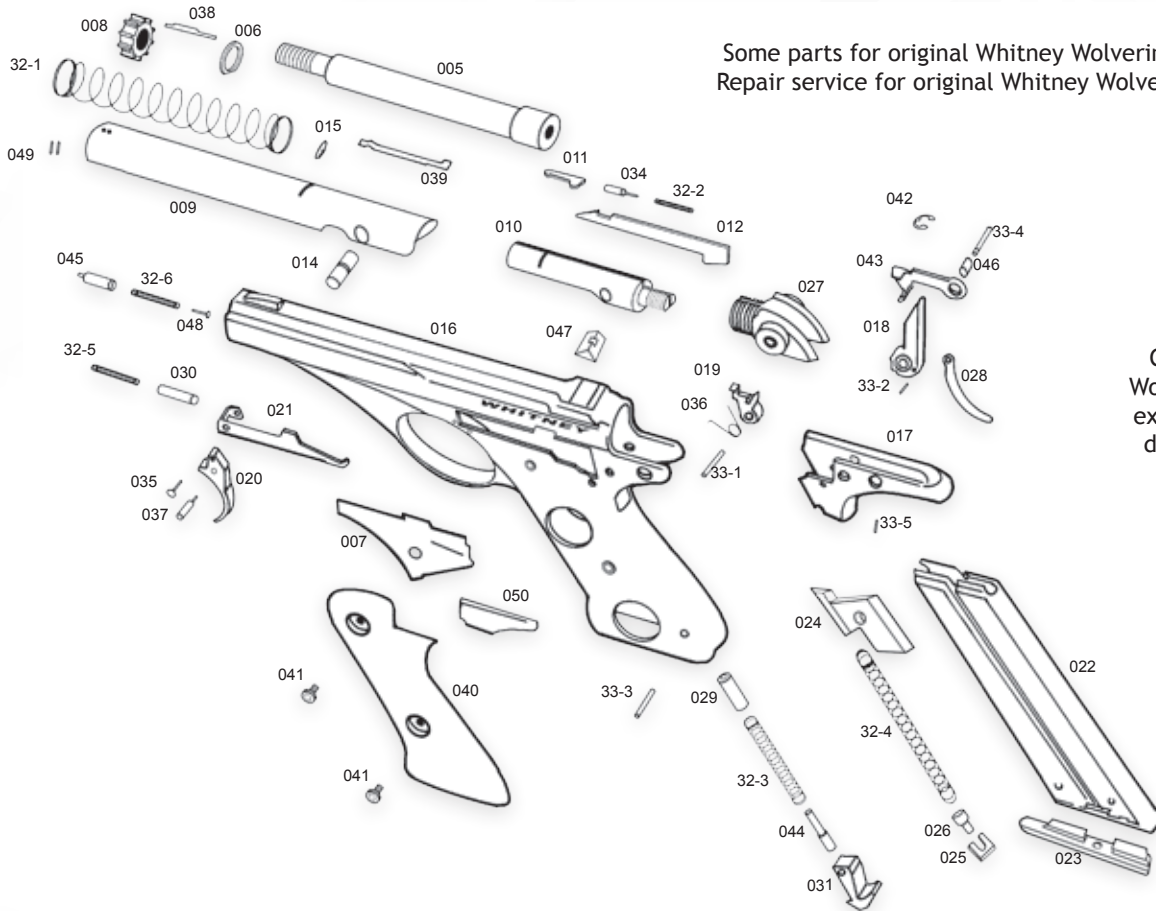
WWM	Additional magazine	\$38.94
WWC	Additional hard case	\$12.35
WWAS	Adjustable rear sight	\$67.60
WWFS	Flash suppressor	\$15.95
WWH	Ballistic nylon holster	\$30.95
WWS	Checkered walnut grips	\$41.60



WWH

Repair service for original Whitney Wolverine pistols is available. Price is per hour of shop time not inclusive of necessary parts. Call for details about repair services for original Whitney Wolverine pistols.

Whitney Wolverine | Line Drawing Reference



Some parts for original Whitney Wolverine models are available. Repair service for original Whitney Wolverine models is available.

Current and original Whitney Wolverine models do not use the exact same parts. This diagram does not accurately represent parts for original models.

Code	Description	Retail
JLM-004	Magazine Assembly	\$38.94
JLM-005	Barrel	\$71.50
JLM-006	Barrel Seat	\$4.55
JLM-007	Side Plate	\$10.40
JLM-008	Nut	\$7.68
JLM-009	Tube	\$44.53
JLM-010	Breech Block	\$44.53
JLM-011	Extractor	\$7.77
JLM-012	Firing Pin	\$13.00
JLM-014	Breech Pin	\$4.11
JLM-015	Firing Pin Lock	\$3.58
JLM-016	Frame	N/A
JLM-017	Action Frame	\$26.33
JLM-018	Hammer	\$22.10
JLM-019	Sear	\$9.04
JLM-020	Trigger	\$12.94
JLM-021	Sear Bar	\$15.28
JLM-023	Magazine Bottom	\$6.43
JLM-024	Magazine Follower	\$6.44
JLM-025	Magazine Bottom Lock	\$2.28
JLM-026	Magazine Insert	\$2.28
JLM-027	Cocking Piece	\$17.48
JLM-028	Strut	\$4.10
JLM-029	Hmr Sprng Plunger	\$2.93
JLM-030	Trigger Spring Plunger	\$2.93
JLM-031	Magazine Catch	\$6.89
JLM-032-1	Mainspring	\$8.32

Code	Description	Retail
JLM-032-2	Extractor Spring	\$1.76
JLM-032-3	Hammer Spring	\$1.76
JLM-032-4	Magazine Spring	\$1.76
JLM-032-5	Trigger Spring	\$1.76
JLM-032-6	Cocking Plunger Spring	\$1.76
JLM-033-1	Sear Pin	\$1.76
JLM-033-2	Strut Pin	\$1.76
JLM-033-3	Magazine Catch Pin	\$1.76
JLM-033-4	Hammer Pin	\$1.76
JLM-033-5	Safety Lock Pin	\$1.76
JLM-034	Extractor Plunger	\$1.76
JLM-035	Trigger Connector	\$1.76
JLM-036	Sear Spring	\$4.55
JLM-037	Trigger Pin	\$1.76
JLM-038	Barrel Key	\$3.58
JLM-039	Ejector	\$7.28
JLM-040	Pistol Grips	\$31.20
JLM-041	Screw, Grip & Side Plate	\$3.12
JLM-042	'C' Clip - Hammer Pin	\$1.56
JLM-043	Magazine Disconnect	\$6.63
JLM-044	Hammer Spring Seat	\$2.28
JLM-045	Barrel Locking Plunger	\$4.88
JLM-046	Hammer Pin Sleeve	\$2.86
JLM-047	Rear Sight	\$6.27
JLM-048	Spring Seat Pin	\$1.76
JLM-049	Barrel Index Pin (2)	\$2.86
JLM-050	Safety	\$11.05

The Schuetzen Pistol Works is the 1911 division at Olympic Arms. The Pistol Works demonstrates Olympic Arms' commitment to the greatest pistol design in history: John Moses Browning's 1911. We offer you choices available nowhere else. There are production pistols, ten kit frame configurations, three lengths of kit slides, and a wide variety of parts, barrels, and pistolsmithing services.

All SPW pistols feature matched frames and slides, individually fitted and head-spaced barrels, complete ramp and throat jobs, lowered and widened ejection ports, beveled mag wells, hand-stoned-to-match hammers and sears, lightweight long-shoe over-travel adjusted triggers, shaped and tensioned extractors, extended thumb safeties, wide beavertail grip safeties, adjustable rear sights, dovetail front sights, and full length guide rods. Every pistol is test-fired with military hardball, major power factor LSWC, and JHP ammunition. *Full length guide rods are not standard on 6" models, but are available as an option.*

The Matchmaster Series can be ordered with either the classic Matchmaster profile frame, or with an R/S (round trigger guard / straight front strap) frame for the same price. Each pistol is available in stainless or carbon steel, or in Deuce configuration (black slide on a stainless frame).

Our Specialty Shop crafts deadly serious 1911s for Law Enforcement and Military professionals, as well as "Dream Guns" for the dedicated enthusiast. The pictured 6" Damascus long slide on a M-3 frame is but one example of what we can do for you.

1911 Section Table of Contents

- 51 •• Matchmaster 5 / Matchmaster 6.....
- 52 •• Enforcer / Cohort.....
- 53 •• Big Deuce / Trail Boss.....
- 54 •• Westerner / Constable.....
- 55 •• Specialty Shop / Custom Services.....
- 56 •• Journeyman / Street Deuce.....
- 57 •• Naked Slides / Top End Kits.....
- 58 •• Naked Frames / Magazines.....
- 59 •• Grips / 1911 Parts.....



SPW Custom 1911

6" Damascus slide, round trigger guard, finger groove front strap and more.

Call for custom quotes.



Matchmaster 5 R/S

5" slide, round trigger guard, straight front strap and more.

Suggested Dealer \$695.00
Suggested Retail \$903.50

Trigger Guard (TG):

- Hooked (H)
- Square (S)
- Round (R)

Front Strap (FS):

- Finger Groove (G)
- Straight (S)

Five full size frames and five Enforcer size frames to choose from.

Mix and match your Matchmaster.

Applicable to the Matchmaster, Big Deuce and Cohort models. First, the barrel/slide: 4", 5" or 6". Second, frame options: straight front strap or finger groove; round, square or hooked trigger guard.

For a more personalized look add a finish to the slide. Standard is a matte satin bead blast, you could have Parkerizing (like the Big Deuce) or Color Case (like the Westerner).

All Matchmasters are marked with smooth wood grips laser etched with a scorpion. If scorpions aren't your style, we have classic fully checkered and double diamond checkered exotic grips as well.



Matchmaster 5

Barrel: 5", Stainless Steel
Frame: M1, Hooked TG & Groove FS
Grips: PHB3, Laser Etched Scorpion
Capacity: 7 + 1
Overall: L 8.75" x H 5.5"
Weight: 40 oz., Empty

Suggested Retail\$903.50



Matchmaster 6

Barrel: 6", Stainless Steel
Frame: M1, Hooked TG & Groove FS
Grips: PHB3, Laser Etched Scorpion
Capacity: 7 + 1
Overall: L 9.75" x H 5.5"
Weight: 44 oz., Empty

Suggested Retail\$975.00



Enforcer

Barrel: 4" Bull, Stainless Steel
Frame: E1, Hooked TG & Groove FS
Grips: PHB2, Laser Etched Widow
Capacity: 6 + 1
Overall: L 7.75" x H 5"
Weight: 35 oz., Empty

Suggested Retail \$1,033.50



Cohort

Barrel: 4" Bull, Stainless Steel
Frame: M3, Round TG & Groove FS
Grips: EB, Fully Checkered
Capacity: 7 + 1
Overall: L 7.75" x H 5.5"
Weight: 36 oz., Empty

Suggested Retail \$973.70



Big Deuce

Barrel: 6", Stainless Steel
Frame: M1, Hooked TG & Groove FS
Grips: EB2, Double Diamond Cocobolo
Capacity: 7 + 1
Overall: L 9.75" x H 5.5"
Weight: 44 oz., Empty

Suggested Retail\$1,033.50



Trail Boss

Barrel: 6", Stainless Steel
Frame: CRF1, Round TG & Straight FS
Grips: Laser Etched Westerner Icon
Capacity: 7 + 1
Overall: L 9.75" x H 5.5"
Weight: 43 oz., Empty

Suggested Retail\$1,099.00



Westerner

Barrel: 5", Stainless Steel
Frame: CRF1, Round TG & Straight FS
Grips: Laser Etched Westerner Icon
Capacity: 7 + 1
Overall: L 8.75" x H 5.5"
Weight: 39 oz., Empty

Suggested Retail \$1,039.00



Constable

Barrel: 4", Stainless Steel
Frame: CRF1, Round TG & Straight FS
Grips: Laser Etched Westerner Icon
Capacity: 7 + 1
Overall: L 7.75" x H 5.5"
Weight: 35 oz., Empty

Suggested Retail \$1,163.50



The Journeyman and Street Deuce models are custom made pistols from Olympic Arms' Schuetzen Pistol Works. Each part is hand selected and fitted by Expert Pistolsmiths. For each model, at no extra cost, you can choose your mainspring housing and rear sight. The mainspring housing is Smith & Alexander, checkered to 20 LPI with the choice of flat or arched. For rear sight you choose LPA adjustable or Heinie Slant-pro fixed.

SPW Custom Services

For new SPW pistols only.

<i>Service</i>	<i>Retail</i>
Specialty Shop Hand Select	\$60.00
<i>Every part is selected, inspected and fitted.</i>	
Special Serial Number	\$60.00
<i>Personalize with custom letters and numbers.</i>	
Front Serrations On Slide	\$72.00
<i>For 5" and 6" slides only.</i>	
Heinie Straight 8 Tritium Fixed Sights	\$162.50
Heinie Tritium Front Sight Only	\$85.00
Smith & Alexander Mainspring Housing	\$42.00
<i>Checked at 20 LPI. Choose flat or arched.</i>	
Videki Trigger, (#C4533V) fitted	\$40.00

Along with custom work for our own line of 1911 pistols, the Schuetzen Pistol Works also offers custom services for the 1911 pistol already in your collection.

Whether you need new parts and labor, sight work machining, trigger work or just a special service, our Expert Pistolsmiths will work their decades of experience into your 1911 pistol.

More Custom Services

For some SPW pistols and most 1911s.

<i>Service</i>	<i>Retail</i>
<i>Parts & Labor</i>	
D-Type 5" Bushingless Barrel	\$300.00
D-Type 4" Bushingless Barrel & Recoil System	\$420.00
National Match Barrel	\$210.00
National Match Barrel Bushing	\$90.00
New Extractor, Shaped & Tensioned	\$78.00
Full Length Guide Rod And Cap	\$90.00
<i>Must be fitted to 6" slide.</i>	
High Ride Beavertail Grip Safety	\$102.00
Smith & Alexander Mainspring Housing, Mag Well	\$138.00
Ambi Thumb Safety	\$108.00
Large Button Mag Catch	\$54.00
Extended Mag Catch	\$48.00
Damascus 4" or 5" Slide, Starting at	\$900.00
Damascus 6" Slide, Starting at	\$1020.00

Sight Work

(Does not include sight, call for details.)

Mill slide for dovetail front	\$72.00
Mill slide for LPA, BoMar, Novak or Heinie rear	\$160.00
Tritium Night Sights	Please Call

Services that vary pistol-to-pistol

Dealer \$50.00 / HR, minimum \$40 charge.

Retail \$60.00 / HR, minimum \$48 charge.

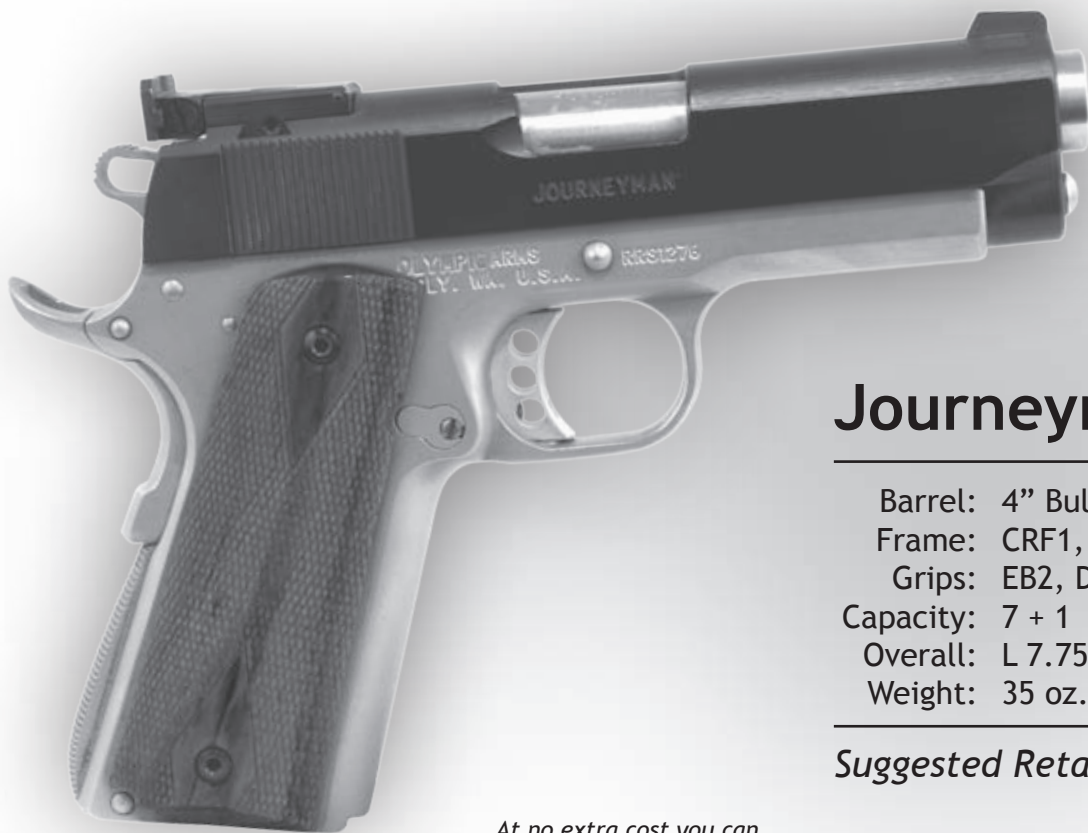
- Ramp and throat, spec chamber.
- Bevel mag well.
- Lower and widen ejection port.
- Carry bevel and finish.
- Serrate rear of slide.
- Refinish entire pistol or portions, choose from:
 - Matte satin bead blast finish.
 - Flat black Parkerized, for carbon steel only.
 - Blak-Tac coating, for frames & slides only.
- Evaluate 1911 pistol.
 - Detail strip, inspection of all parts.
 - Rockwell hardness testing of key items.

Trigger Work

Dealer \$50.00 / HR, parts are extra.

Retail \$60.00 / HR, parts are extra.

Due to the variety of lockwork types and the disparate quality of parts in some current 1911 pistols, all trigger work is billed on a pistol-to-pistol basis. Some 1911 trigger work requires only skill and time where others may require replacement of all component parts and the fitting of new parts.



Journeyman

Barrel: 4" Bull, Stainless Steel
Frame: CRF1, Round TG & Straight FS
Grips: EB2, Double Diamond Cocobolo
Capacity: 7 + 1
Overall: L 7.75" x H 5.5"
Weight: 35 oz., Empty

Suggested Retail \$1,299.00

At no extra cost you can choose from S&A flat or arched mainspring housings and LPA or Heinie Slant-pro fixed rear sights. Shown with arched mainspring housing and LPA rear sight.



Street Deuce

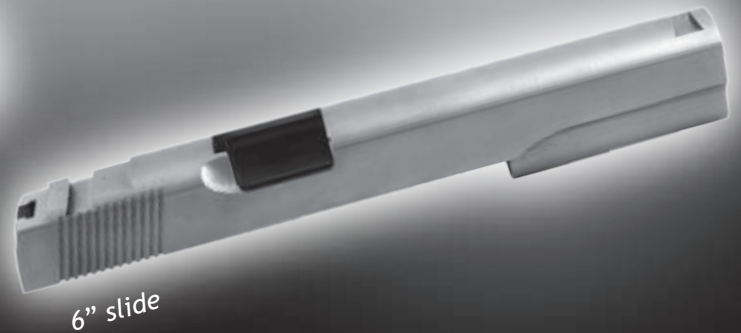
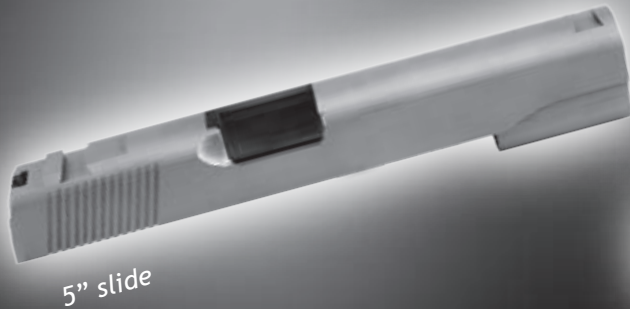
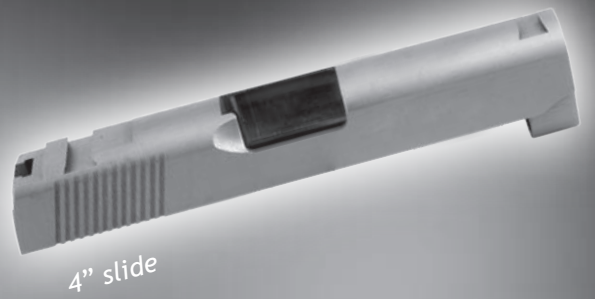
Barrel: 5.2" Bull, Stainless Steel
Frame: CRF1, Round TG & Straight FS
Grips: EB2, Double Diamond Cocobolo
Capacity: 7 + 1
Overall: L 8.75" x H 5.5"
Weight: 38 oz., Empty

Suggested Retail \$1,293.50

Naked Slides

Slides are available in three lengths as Stainless (A) or Carbon (B) steel. LPA rear cut and dovetail (.330"x.075"x65°) front sight cut. Custom or no sight cuts available. Front serrations are available on 5" and 6" slides.

Code	Description	Retail
SAS-2 (A or B)	4" slide	\$219.70
SAS-1 (A or B)	5" slide	\$206.70
SAS-6 (A or B)	6" slide	\$232.70
Parkerized	Carbon Steel (B) only	\$42.00



DISCLAIMER: Naked slides require fitting by a competent 1911 pistolsmith.

Top End Kits

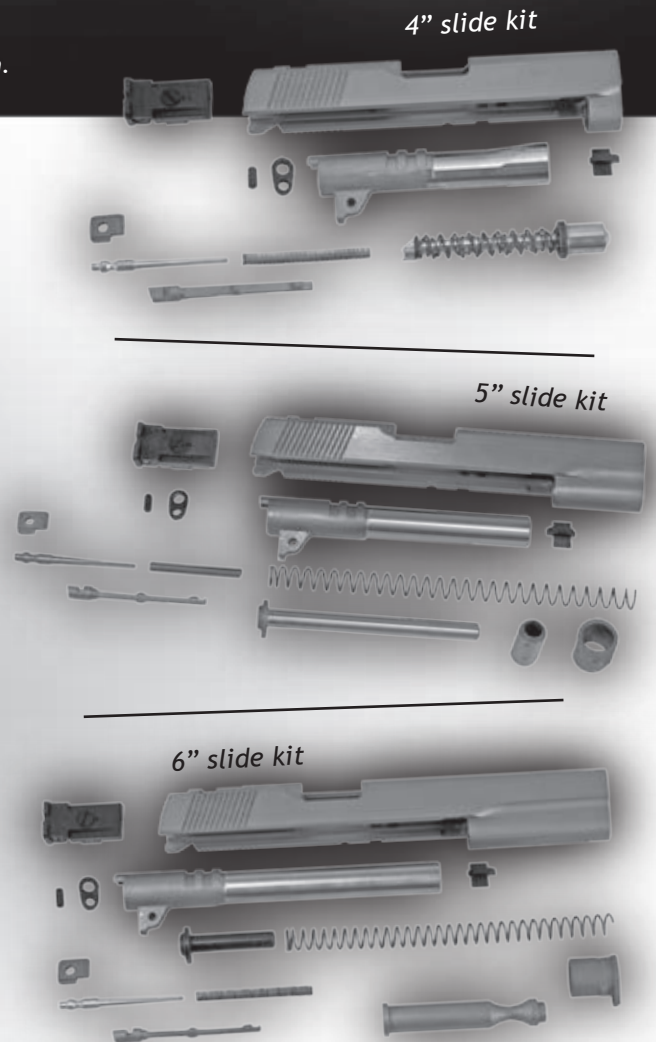
These units include all parts but are unfitted. Available in three lengths as Stainless (A) or Carbon (B) Steel. Parts included are bushing, slide, national match barrel, recoil assembly, rear sight, front sight, firing pin stop, firing pin, firing pin spring and extractor. Specific parts vary depending on the length of slide. **45 ACP Only.**

Insert kits include all parts of a complete slide kit, less the slide itself.

Code	Description	Retail
Complete slide kits		
SA100-4 (A or B)	4" slide kit	\$513.50
SA100-5 (A or B)	5" slide kit	\$388.70
SA100-6 (A or B)	6" slide kit	\$414.70
SA100-5D (A or B)	5" D-type slide kit	\$453.70

Insert kits		
Code	Description	Retail
KS6	Insert kit, for 6" slide	\$218.40
KS5	Insert kit, for 5" slide	\$192.40
KSE	Insert kit, for 4" slide	\$257.40
Parkerize	Carbon Steel (B kits) only	\$42.00

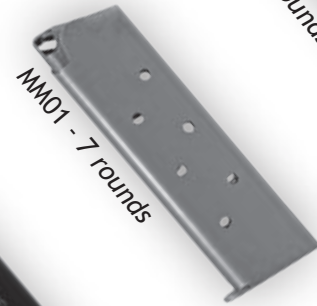
DISCLAIMER: Top end kits and insert kits require fitting by a competent 1911 pistolsmith.



Naked Frames & Magazines

The same price for every frame. Choose Stainless (A) or Carbon (B) steel. All frames are cut with a .250" grip safety radius.

Available loaded with plunger tube, ejector and grip screw bushings installed.



Code	Description	Retail
Naked Frames		
	Same price, every frame	\$167.70
+KFB	Insert kit, naked frame; Black	\$192.40
+KFSS	Insert kit, naked frame; SS	\$192.40
+P	Parkerizing, carbon steel only	\$42.00
+L	Loaded frame	\$42.00
Additional Magazines		
MM01	fits full size frames, 7 round	\$31.20
MM02	fits full size frames, 8 round	\$31.20
EEM01	fits enforcer frames, 6 round	\$39.00

Enforcer Frames

Use officers model (Enforcer) magazines.



E1 Hooked trigger guard and finger groove front strap.

SAF-E1A Naked, stainless steel
SAF-E1B Naked, carbon steel



E4 Square trigger guard and straight front strap.

SAF-E4A Naked, stainless steel
SAF-E4B Naked, carbon steel



M1 Hooked trigger guard and finger groove front strap.

SAF-M1A Naked, stainless steel
SAF-M1B Naked, carbon steel



CRF1 Standard GI type frame with round trigger guard and straight front strap.

CRF1A Naked, stainless steel
CRF1B Naked, carbon steel



E2 Square trigger guard and finger groove front strap.

SAF-E2A Naked, stainless steel
SAF-E2B Naked, carbon steel



E5 Round trigger guard and straight front strap.

SAF-E5A Naked, stainless steel
SAF-E5B Naked, carbon steel



M2 Square trigger guard and finger groove front strap.

SAF-M2A Naked, stainless steel
SAF-M2B Naked, carbon steel



CRF2 Standard GI type frame with square trigger guard and straight front strap.

CRF2A Naked, stainless steel
CRF2B Naked, carbon steel



E3 Round trigger guard and finger groove front strap.

SAF-E3A Naked, stainless steel
SAF-E3B Naked, carbon steel



M3 Round trigger guard and finger groove front strap.

SAF-M3A Naked, stainless steel
SAF-M3B Naked, carbon steel

Grips & 1911 Parts

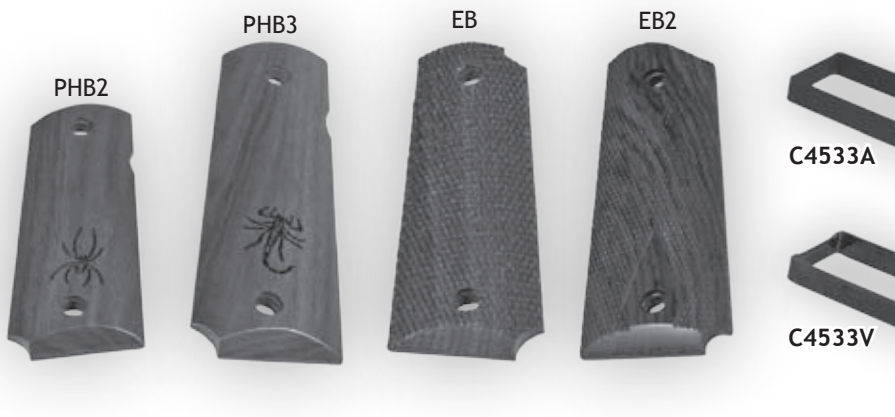
Many 1911 parts require fitting by a pistolsmith for fit and function in your 1911 pistol. There are no “drop-in” function guarantees because of the many different types and qualities of 1911 pistols manufactured by other companies.

Some items are available in stainless or black finish. Use the appropriate code in the column to specify stainless or black. Triggers include over-travel screw and hex head wrench. For the Smith & Alexander mainspring housing you must specify flat type or arched type when ordering.

Stainless	Black	Item	Retail
		AS1A Adjustable rear sight, white dot	\$54.60
		AS2A Adjustable rear sight, serrated	\$54.60
		AS3A Front sight, blade type	\$8.45
		C4533A Trigger, aluminum	\$10.24
		C4533V Trigger, match style, Videki	\$17.55
		C4536 Mainspring housing, government	\$32.50
		C4536B Mainspring housing, Enforcer (loaded)	\$52.00
		C56SA Mainspring housing, Smith & Alexander	\$45.50
C4551A	C4551B	Mag catch button, large	\$18.14
		SA53 Mag catch button, extended	\$12.35
		HHP-1 Hammer & sear pins, hardened	\$12.68
SA46A	SA46B	Thumb safety, extended	\$13.65
SA50A	SA50B	Thumb safety, extended, ambidextrous	\$25.94
SA47A	SA47B	Slide stop, extended	\$13.65
SA48A	SA48B	Grip safety, hi-ride beavertail	\$29.25
SA49A	SA49B	Grip safety, Safari beavertail	\$11.05
		SA52 Guide rod, for 5” models	\$29.90
SA55A	SA55B	Hammer, commander type	\$16.84

Grips			
SS01A	SS01B	Allen head grip screws, includes wrench	\$5.50
		EB2 Grips, full size frame, double diamond	\$31.20
		EB Grips, full size frame, full checkered	\$17.23
		PHB2 Grips, enforcer frame, black widow	\$32.50
		PHB3 Grips, full size frame, scorpion	\$32.50

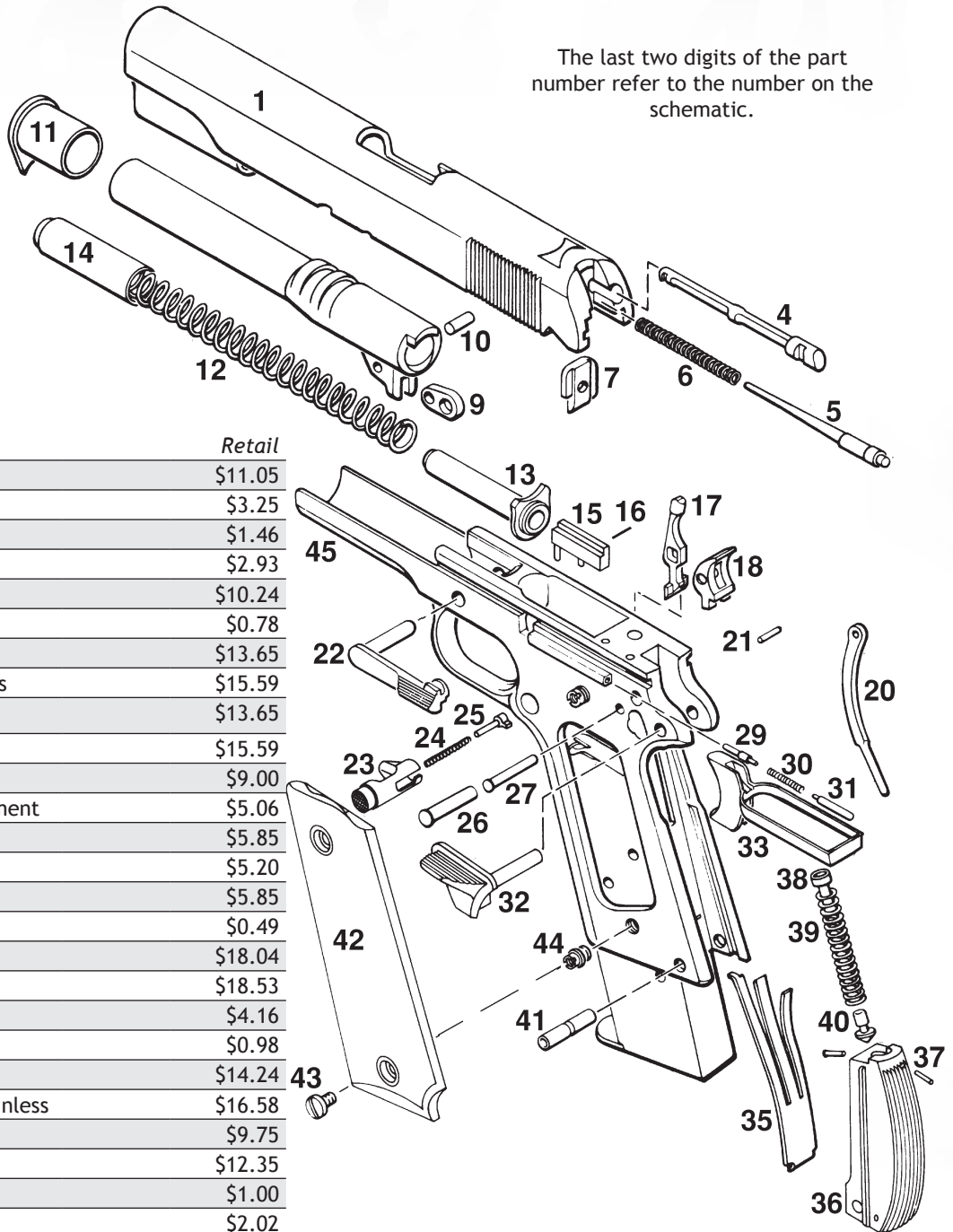
PHB2 grips fit **enforcer** size frames only, have a smooth finish and are laser etched with our black widow icon. PHB3 grips fit full size frames, have a smooth finish and are laser etched with our scorpion icon. EB2 grips features exotic wood and are exclusive to Olympic Arms. EB grips are fully checkered walnut grips.



1911 Parts | Line Drawing Reference

The last two digits of the part number refer to the number on the schematic.

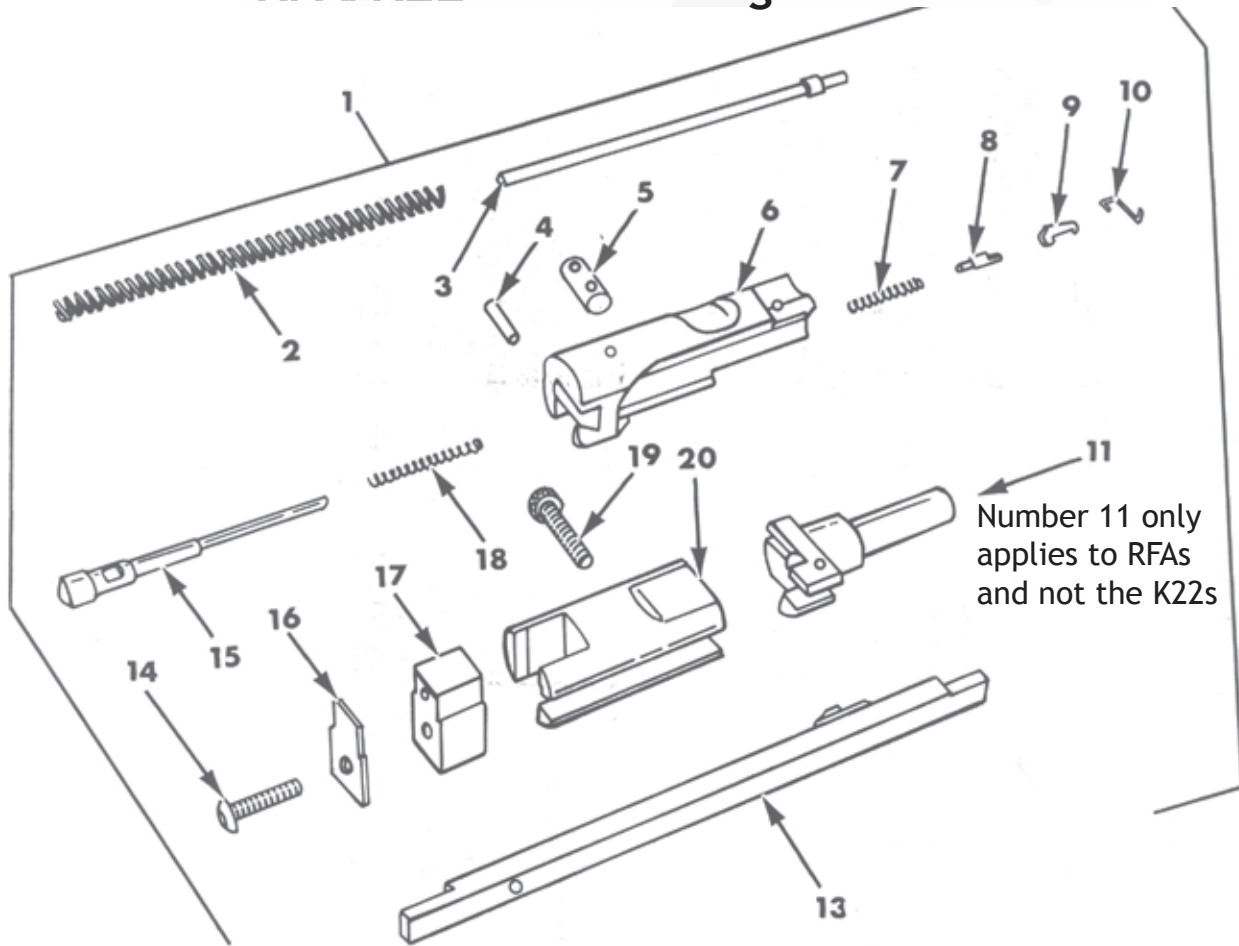
If you cannot locate the part you need, contact our Customer Service Team for assistance.



Code	Item Desc	Retail
C4504	Extractor	\$11.05
C4505	Firing pin	\$3.25
C4506	Firing pin, spring	\$1.46
C4507	Firing pin, stop	\$2.93
C4509	Barrel link, black	\$10.24
C4510	Barrel link, pin	\$0.78
C4511A	Barrel bushing, stainless	\$13.65
C4511NM-A	Barrel bushing, NM, stainless	\$15.59
C4511B	Barrel bushing, Black	\$13.65
C4511NM-B	Barrel bushing, NM, black	\$15.59
C4512W	Wolff® Recoil spring	\$9.00
C4513	Recoil spring, guide government	\$5.06
C4514A	Recoil spring, cap, stainless	\$5.85
C4514B	Recoil spring, cap, black	\$5.20
C4515	Ejector, government	\$5.85
C4516	Ejector pin	\$0.49
C4517	Disconnecter	\$18.04
C4518	Sear	\$18.53
C4520	Hammer strut	\$4.16
C4521	Hammer strut, pin	\$0.98
C4522A	Slide stop, government	\$14.24
C4522B	Slide stop, government, stainless	\$16.58
C4523A	Magazine catch, stainless	\$9.75
C4523B	Magazine catch, black	\$12.35
C4524	Magazine catch, spring	\$1.00
C4525	Magazine catch, lock	\$2.02
C4526	Hammer pin	\$0.72
C4527	Sear pin	\$1.27
C4528A	Plunger tube, stainless	\$5.36
C4528B	Plunger tube, black	\$4.68
C4529	Slide stop plunger	\$0.49
C4530	Plunger spring	\$1.30
C4531	Safety plunger	\$0.49
C4532A	Thumb safety, black	\$15.70
C4532B	Thumb safety, stainless	\$17.55
C4533A	Trigger, aluminum	\$10.24
C4533V	Trigger, aluminum adjustable	\$17.55
C4535	Sear spring	\$2.28

Code	Item Desc	Retail
C4536A	Mainspring housing, flat, black	\$16.25
C4536B	Mainspring housing, enforcer	\$52.00
C4537	Mainspring cap pin	\$1.17
C4538	Mainspring cap	\$1.17
C4539	Mainspring	\$2.60
C4540	Mainspring retainer	\$1.17
C4541	Mainspring housing retainer pin	\$0.49
C4543	Grip screw, black	\$0.49
C4543A	Grip screw, stainless	\$1.11
C4544	Grip screw, escutcheon, black	\$0.49
C4544A	Grip screw, escutcheon, stainless	\$1.48

RFA/K22 Line Drawing Reference



Number 11 only applies to RFAs and not the K22s

Part	Description	Cost
RFA	Bolt Group Assembly	\$161.20
RFA-545	Bolt Group Assembly for 5.45 cal	\$164.00
	K22 Bolt Group Assembly.....	CALL
RFA2	Recoil Spring	\$1.50
FA3	Straight Pin	\$4.75
RFA4	Headless Pin	\$.25
RFA5	Straight Pin	\$9.36
RFA6	Bolt Assembly	\$56.16
RFA7	Extractor Spring.....	\$1.76
RFA8	Extractor Plunger	\$1.76
RFA9	Extractor	\$6.89
RFA10	Cartridge Retainer.....	\$.25
RFA11	RFA Chamber End:5.56/223	\$21.84
RFA11-545	RFA Chamber End:5.45x39.....	\$39.00
RFA12	Pin Hook 22/17 Assembly.....	\$.13
RFA13	Rail Guide & Extractor 22/17.....	\$15.60
RFA14	Position Spring Retaining Screw	\$.63
RFA15	Firing Pin, 22/17 Bolt Assembly ..	\$11.57
RFA16	Position Spring, 22/17	\$.62
RFA17	Lug Support.....	\$6.24
RFA18	Firing Pin Spring	\$.31
RFA19	Socket Head Cap Screw.....	\$.87
RFA20	Support Rail	\$24.96

The indicated numbers on the schematic correspond to the last digits of the part number in the parts list.

Please call our Customer Service Team for prices and availability of parts for the RFA/K22 conversion systems.

Prop Guns | Training Models



Code	Description	Retail
Cutaway Trainers		
AR-CUT	Cutaway, AR-15 complete carbine	\$1,320.00
T3-CUT	Cutaway, AT-15 lower receiver	\$107.00
1911-CUT	Cutaway, 1911 pistol	\$1,194.00

Nothing is more effective in firearms training than a complete firearm with a full view of the functioning components. We take a complete AR-15 carbine and cutout specific areas of the firearm so you can see the functioning mechanical parts. Our cutaway trainers provide a detailed view of the firearm and assists in understanding function.

Our non-firing prop guns look and feel just like real firearms. These models cannot fire live ammunition nor can they be modified to do so. An FFL is not required to purchase non-firing prop firearms.

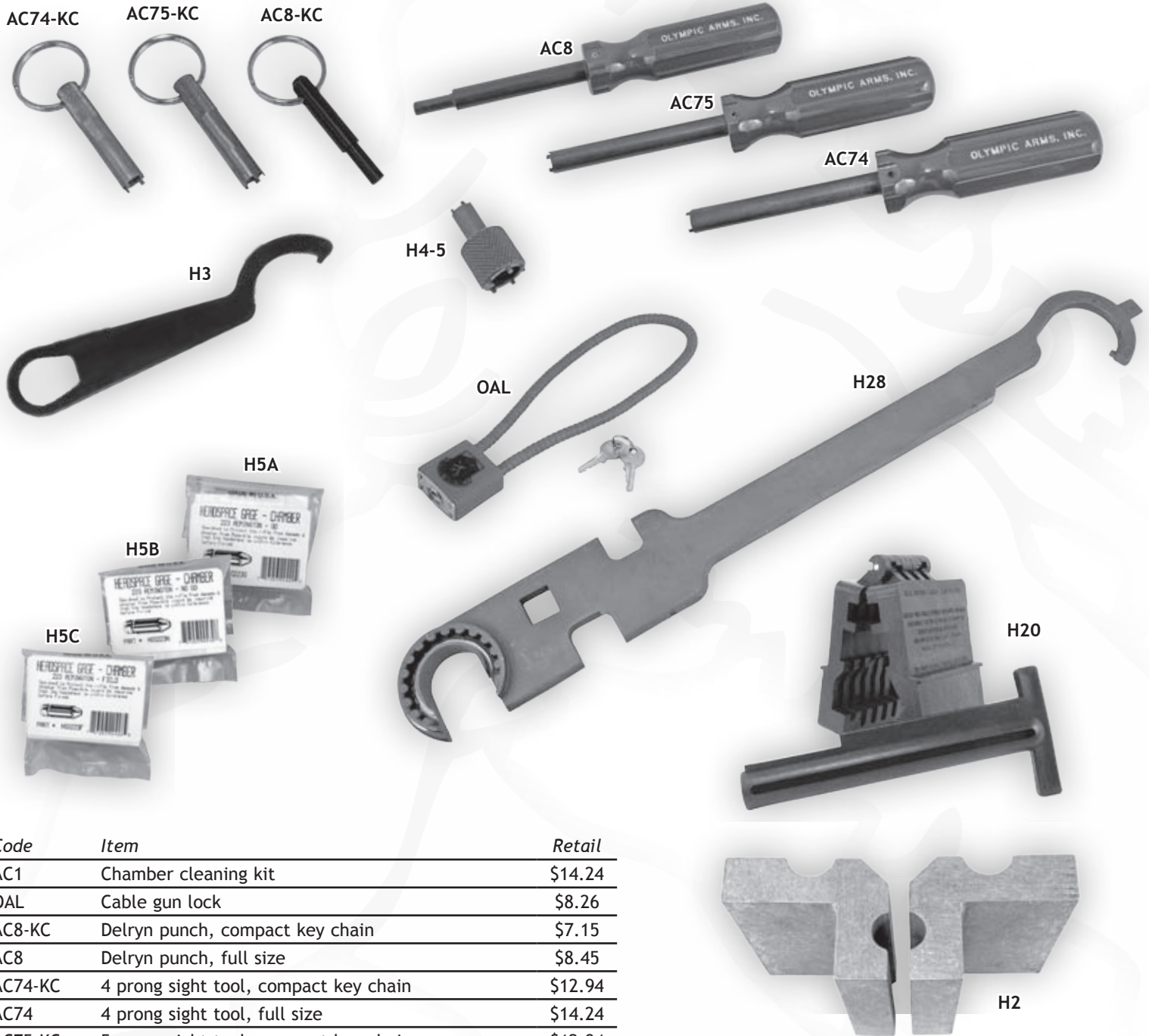
Olympic Arms' non-firing models have been used in big screen Hollywood movies such as Clear and Present Danger, Eraser, Batman Returns, Bad Boys, The Professional, The Rock and more.

Non-firing prop models can be built to any configuration imaginable because they do not function and are not subject to firearms restrictions set by the BATFE.

Code	Description	Retail
Non-firing Prop Firearms		
AR15-PROP	Non-firing, AR-15 carbine	\$594.50
M16A2-PROP	Non-firing, M16-A2 firearm	\$630.00
M16A4-PROP	Non-firing, M16-A4 firearm	\$834.00



Gunsmithing Tools | Maintenance Tools



Code	Item	Retail
AC1	Chamber cleaning kit	\$14.24
OAL	Cable gun lock	\$8.26
AC8-KC	Delryn punch, compact key chain	\$7.15
AC8	Delryn punch, full size	\$8.45
AC74-KC	4 prong sight tool, compact key chain	\$12.94
AC74	4 prong sight tool, full size	\$14.24
AC75-KC	5 prong sight tool, compact key chain	\$12.94
AC75	5 prong sight tool, full size	\$14.24
H4-5	5 prong sight tool, A1 windage tool	\$12.94
H3	Collapsible stock spanner wrench	\$4.23
H5A	Headspace gauge, GO	\$21.10
H5B	Headspace gauge, NO-GO	\$21.10
H5C	Headspace gauge, FIELD	\$21.10
H5S	Headspace gauge, set of all 3	\$63.64
H2	Dual slot vise jaw blocks	\$11.00
H20	Armorer's block kit	\$70.98
H28	Multi-tool barrel wrench	CALL

Delryn punches are great for pushing out takedown and pivot pins. Sight tools are handy when zeroing in your sights.

Dual slot vise jaw blocks hold standard and bull barrels in a vise and the armorer's block kit holds an entire upper receiver safely in a vise without pinching.

Multi-tool barrel wrench does almost everything for an upper receiver assembly. Stock spanner wrench incorporates a 1911 bushing removal tool.

Olympic Arms | Logoware



OA7



OA6-1



OA6-3

OA6-2

Code	Description	Retail
OA7	Protective rifle case, OD green	\$30.60
OA4	Armorer's mat / mouse pad	\$13.00
OA6-1	Sticker, color, 6.75" x 8.5", indoor only	\$3.25
OA6-2	Sticker, color, 5" x 7"	\$3.25
OA6-3	Sticker, color, 5" x 7", "Stocking Dealer"	\$3.25
OA6-4	Sticker, color, 5" x 7", "Dealer Distributor"	\$3.25
OA2	Patch, sew-on, full color	\$2.60
OAM-7	Lapel pin, pewter, painted two-tone blue	\$3.90

Shirts & Hats

OA5	T-shirt, screen printed, grey/ash color logos	\$15.60
OA5B	T-shirt, button up, blue, embroidered logos	\$38.94
	SIZES: S, M, L, XL, 2X, 3X, 4X - Sizes not always in stock.	
OAH	Ballcap, cream crown, royal blue brim, velcro	\$11.70



OA2



OAM-7



OA4

Olympic Arms | Logoware



OAH

OA5



OA5B



Olympic Arms, Inc
624 Old Pacific Hwy SE
Olympia WA 98513
www.olyarms.com



Colored Whitneys, page 33, 50



Pink AR15 furniture, Page 36



LTF Predator, Page 36



K3B Shown with options.

OLYARMS.COM